

EnviroMate TANDEM EV1

MULTI-PURPOSE STEAM CLEANER AND VACUUM SYSTEM
SYSTEME D'ASPIRATEUR ET DE NETTOYAGE A VAPEUR MULTI-FONCTION
LIMPIADOR A VAPOR Y ASPIRADORA MULTI-USO



INSTRUCTION MANUAL
GUIDE D'UTILISATION
MANUAL DE INSTRUCCIONES

1-800-GO-VAPOR.com

INTRODUCTION.....	2	MAINTENANCE.....	23
GENERAL INFORMATION.....	5	Maintenance jobs	23
Machine description	5	Cleaning the boiler.....	23
Type and model.....	5	Cleaning the filters.....	23
Technical specifications.....	6	Cleaning the air filter of dust collecting tank..	24
Composition of the basic machine	7	Eliminating dirt/impurities from drain hose ...	25
Various accessory parts	7	Inactivity of the machine	25
Packaging dimensions.....	7	Disposal.....	26
Weights	7	Possible problems, causes & solutions.....	27
Identification	7		
Symbols shown on the machine and/or on accessories	8		
List of the parts.....	8		
SAFETY.....	11		
General safety instructions.....	11		
USE OF THE MACHINE.....	12		
Intended use	12		
Improper use	12		
Preparing the machine.....	12		
Unpacking the machine	12		
Assembling the machine	12		
Filling the machine for steam	13		
Filling the dust collecting tank with water.....	14		
Connecting to the power source	14		
Starting the machine.....	15		
Using machine as steam and/or vacuum cleaner.....	15		
Steam suction	16		
Using the machine as a vacuum cleaner.....	16		
If the red water indicator light comes on.....	16		
If the dust collecting tank is full	17		
Using the machine accessories	17		
Universal brush.....	17		
Window squeegee	19		
Brush for upholstery.....	20		
Cleaning brush for carpets/moquettes	20		
Steam nozzle.....	21		
Upholstery nozzle	21		
End of use	22		

No part of this publication may be reproduced, stored in a retrieval system or transmitted in any form or by any means without prior written permission from the manufacturer. Pictures, descriptions, references and technical data in this manual are indicative and not binding. In pursuing a policy of constant quality improvement, the manufacturer reserves the right to effect changes at any time without undertaking to update this manual every time.

IMPORTANT SAFETY INSTRUCTIONS

READ ALL INSTRUCTIONS BEFORE USING THIS APPLIANCE

When using an electrical appliance, basic precautions should always be followed.

WARNING: To reduce the risk of fire, electric shock, or injury:

1. Do not leave appliance when plugged in. Unplug from outlet when not in use and before servicing.
2. Do not use outdoors or on wet surfaces.
3. Do not allow to be used as a toy. Close attention is necessary when used by or near children.
4. Use only as described in this manual. Use only manufacturer's recommended attachments.
5. Do not use with damaged cord or plug. If appliance is not working as it should, has been dropped, damaged, left outdoors, or dropped into water, return it to a service center.
6. Do not pull or carry by cord, use cord as a handle, close a door on cord, or pull cord around sharp edges or corners. Do not run appliance over cord. Keep cord away from heated surfaces.
7. Do not unplug by pulling on cord. To unplug, grasp the plug, not the cord.
8. Do not handle plug or appliance with wet hands.
9. Do not put any object into openings. Do not use with any opening blocked; keep free of dust, lint, hair, and anything that may reduce air flow.
10. Keep hair, loose clothing, fingers, and all parts of body away from openings and moving parts.
11. Turn off all controls before unplugging.
12. Use extra care when cleaning on stairs.
13. Do not use to pick up flammable or combustible liquids, such as gasoline, or use in areas where they may be present.
14. Use only tap water to refill the boiler and water tank. Do not use chemicals, perfumes or other liquid.
15. The hose contains electrical wires. Do not use when damaged, cut, or punctured. Avoid picking up sharp objects.
16. Connect to a properly grounded outlet only. See Grounding Instructions.
17. This appliance is provided with double insulation. Use only identical replacement parts.
18. Do not pick up anything that is burning or smoking, such as cigarettes, matches, or hot ashes.
19. To Reduce the Risk of Fire, do not use a flammable or combustible liquid to clean a floor.
20. Do not use without dust filters in place.

SAVE THESE INSTRUCTIONS

GROUNDING INSTRUCTIONS

This appliance must be grounded. If it should malfunction or breakdown, grounding provides a path of least resistance for electric current to reduce the risk of electric shock. This appliance is equipped with a cord having an equipment-grounding conductor and grounding plug. The plug must be inserted into an appropriate outlet that is properly installed and grounded in accordance with all local codes and ordinances.

WARNING – Improper connection of the equipment-grounding conductor can result in a risk of electric shock. Check with a qualified electrician or service person if you are in doubt as to whether the outlet is properly grounded. Do not modify the plug provided with the appliance – if it will not fit the outlet, have a proper outlet installed by a qualified electrician.

This appliance is for use on a circuit having a nominal rating more than 120 volts and is factory-equipped with a specific electric cord and plug to permit connection to a proper electric circuit. Make sure that the appliance is connected to an outlet having the same configuration as the plug. No adaptor should be used with this appliance. If the appliance must be reconnected for use on a different type of electric circuit, the reconnection should be made by qualified service personnel.

CONGRATULATIONS

We would like to thank you, and congratulate you for purchasing the ultimate steam / vacuum cleaner from Reliable Corporation.

Dry vapor steam cleaning can deep clean and sanitize your home safely and effectively. Vapor steam is effective for killing dust mites, bacteria and mildew. It's ideal for cleaning, sanitizing and deodorizing all the rooms in your house, particularly bathrooms and the kitchen. For family members with chemical sensitivities, vapor steam cleaning is a great way to keep the house clean without using potentially harmful chemicals. Birdcages, aquariums, and pet areas; upholstery, drapery and bedding are all made cleaner and safer for you, your family and your pets when you clean with vapor steam.

For your safety and to fully enjoy the advantages of this product, please take a few minutes to read all the important safeguards and care instructions. Keep this manual handy and review the product warranty card for your reference.

Note: your new steam / vacuum cleaner may contain small amounts of water as all are factory tested prior to shipping.



IMPORTANT

Carefully read this manual to avoid any improper use. The Manufacturer accepts no responsibility for damage to people or things deriving from improper use of the machine, incompetence, lack of caution or negligence and from the lack of compliance with the instructions provided in this manual.

The pictures shown in this manual will help explain the running, safety instructions and maintenance operations of the machine.

The Manufacturer reserves the right to make changes to its machines, as a result of performance optimisation.



ATTENTION

This manual is an integral part of the machine kit. It must be carefully kept within reach and consulted in case of doubt. If the machine is given to a third party, even only if it is lent out, please provide the manual together with the machine, specifying to the new user to carefully read its content before operating the machine.

Risk symbols used in this manual:



CAUTION

Indicates a potentially hazardous situation exists which, if not avoided, may result in injury.



ATTENTION

Alerts of situations or troubles which can affect the machine efficiency.



IMPORTANT

Draws the attention to important information which does not involve the operators safety or the machines efficiency.

MACHINE DESCRIPTION

The machine has been designed to clean household surfaces.

- Steam dissolves dirt which is automatically sucked up and collected in a special tank.
- The power of steam lets you clean and sanitise your home in an ecologically sound way.
- The kit of optional accessories lets you turn the machine into a powerful vacuum cleaner.

TYPE AND MODEL

The steam/vacuum cleaning system is supplied with the basic accessories as specified in paragraph “Machine Composition.”

- EnviroMateTANDEM EV1



IMPORTANT

The quantity of supplied accessories is subject to changes according to the product distribution area and the selling price.

This manual includes instructions for all accessories, even if some of them are not part of the basic equipment of this machine.

TECHNICAL SPECIFICATIONS

All components are built with high-quality materials to ensure maximum safety and reliability.

BOILER With Continuous Steam System (CSS)		STAINLESS STEEL BOILER
Max volume	lt	0.8
Max steam pressure	Bar	5
Steam cleaning autonomy	h	unlimited
Max vacuum	mm_H ₂ O	2300
TANK		
Max clean water tank capacity	lt	1.1
Max dust collecting tank capacity	lt	1.5
POWER SUPPLY		
Voltage	V	120
Frequency	Hz	60
Vacuum motor (rated power)	W	1000
Steel electrical heaters	W	1700
Total power output	W	1700
CONTROL CIRCUITS		
Voltage at accessory handle	V	12
NOISE LEVEL	dB	74
PROTECTION DEGREE		IP24

MACHINE COMPOSITION

The machine is supplied in a practical and sturdy cardboard package that contains the basic machine and the accessories it is equipped with.

The basic composition includes:

- Vacuum and steam generator
- Handle with flexible hose

Standard and/or optional accessories:

- Extension wands
- Small metal brush \varnothing 28
- Crevice nozzle
- Steam nozzle
- Small brush \varnothing 28
- 150mm small window cleaner
- 150mm bristle frame
- 150 mm window squeegee frame
- 250mm window squeegee
- Filling bottle
- Crevice nozzle
- Radiator brush
- Dusting brush
- Upholstery nozzle
- Brush for upholstery
- Brush for carpets/moquettes
- Air intake filter
- Universal brush
- Frame with bristles for dust
- Rigid frame for carpets with steam function
- Rubber scraper
- Key for drain plug



IMPORTANT

The various accessories and/or optional parts are extra features available for the machine and increase the usage possibilities. The proper functioning of the machine is not related to the quantity of accessories supplied.

PACKAGING DIMENSIONS

Width..... mm	405
Length..... mm	535
Height..... mm	525

WEIGHTS

Weight, without accessories.....kg	14
With accessories.....kg	17.5

IDENTIFICATION






The data plate of the machine with ETL compliance mark is placed on the rear part of the steam generator.



ATTENTION

When asking for information and/or technical assistance, always specify the model and the serial number stamped on the plate.

*SYMBOLS SHOWN ON THE MACHINE
AND/OR ON ACCESSORIES*

SYMBOL	MEANING
	This symbol indicates that there is no water in the boiler. If the indicator light comes on, please refer to "Possible problems, causes and solutions"
	Steam symbol
	Vacuum symbol
	This symbol indicates a change in the steam density
	Risks of burns and scalding



IMPORTANT

These instructions show all the available accessories that can be used with the machine.

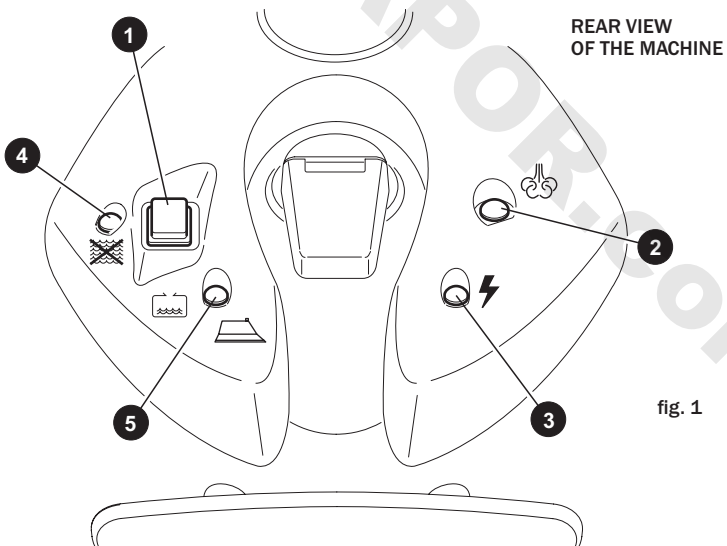
LIST OF PARTS

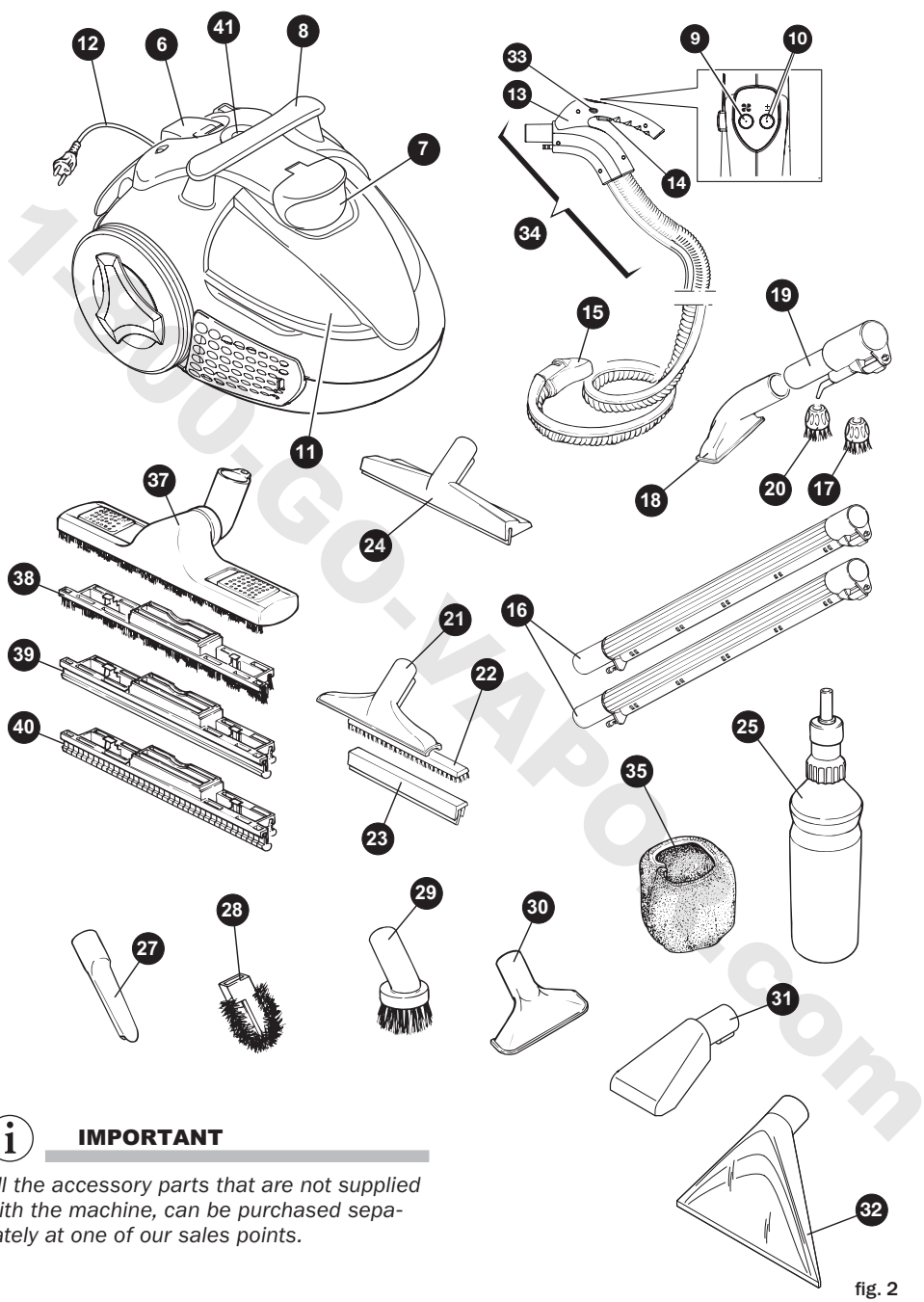
MACHINE BODY

- 1 On/off switch
- 2 Green indicator light – steam ready
- 3 Green indicator light – power on
- 4 Red indicator light – no water in boiler
- 5 Indicator light – water container
- 6 Clean water tank plug
- 7 Socket for handle
- 8 Handle
- 11 Dust collecting tank
- 12 Power cord
- 41 Steam regulator
- 34 Handle with flexible hose
- 9 Vacuum pushbutton (on-off)
- 10 Vacuum regulation pushbutton
- 13 Handle
- 14 Steam control lever
- 15 Quick-fit male connector
- 33 Steam lever safety stop pushbutton

STANDARD AND/OR OPTIONAL ACCESSORIES

- 16 Extension wands
- 17 Small metal brush 30mm
- 18 Crevice nozzle
- 19 Steam nozzle nozzle
- 20 Small brush 30mm
- 21 150mm small window cleaner
- 22 150mm bristle frame
- 23 150 mm window squeegee frame
- 24 250mm window squeegee
- 25 Filling bottle
- 27 Crevice nozzle
- 28 Radiator brush
- 29 Dusting brush
- 30 Upholstery nozzle
- 31 Brush for upholstery
- 32 Brush for carpets
- 35 Air intake filter
- 37 Universal brush
- 38 Frame with bristles for dust
- 39 Rigid frame for carpets with steam function
- 40 Rubber scraper
- Key for drain plug





IMPORTANT

All the accessory parts that are not supplied with the machine, can be purchased separately at one of our sales points.

fig. 2

GENERAL SAFETY INSTRUCTIONS

This chapter provides a list of the general precautions for the safe use of the machine. Detailed instructions are available in the chapters that follow.

- Thoroughly read and understand these instructions before turning on the machine.
- Do not connect the machine to the power source with wet or damp hands or in the vicinity of wet surfaces or jets of water.
- Never plunge the machine into water or other liquids.
- Do not shift or move the machine by pulling the power cord or accessories.
- Do not leave the machine on raised surfaces.
- Before connecting the machine to the power source, make sure the power cord is not defective or damaged.
- During use, make sure the power cord does not come in contact with hot, sharp or abrasive surfaces to avoid damage to its protective sheathing.
- Do not allow children to play with the machine and do not use it for purposes other than those specified in chapter “Use of the machine”.
- If the power cord is not long enough, use approved extensions. If you buy coiled extension cables, always unwind them completely before use.
- Do not cover the machine when it is running.
- The machine should be used in sheltered and ventilated places.
- Do not reduce the steam passage in the tubes with obstructions or kinks in the hose.
- Do not direct steam towards appliances with electrical parts.
- Do not direct steam towards persons, animals, plants, hot or cold objects, food and food containers.
- Always unplug the machine from the power source before storing it.
- Do not attempt to open, repair or modify the machine or its components.
- Use the filling bottle provided to fill the tank.
- Always check that the voltage of the power source match the voltage indicated in paragraph “Technical specifications”.
- Always make sure that the surfaces being cleaned can withstand the temperature given in paragraph “Technical specifications” without suffering from damage.
- Use only tap water to refill the machine.
- Do not use other liquid (chemical, fragrances, etc.) in the water tank for boiler refilling.

EXPECTED USE

The machine has been designed and built exclusively for:

- steam-cleaning and sanitising household surfaces
- extracting the steam residue created during cleaning
- vacuuming household dust/dirt.

Note: The room temperature must be between +5° and +40°C for effective use of the machine.

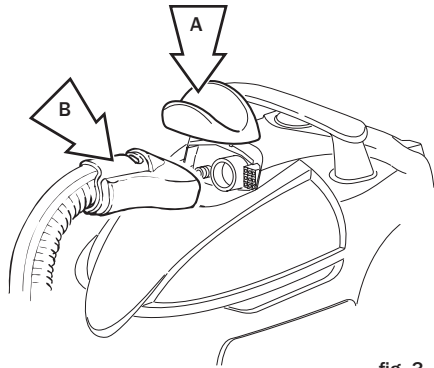


fig. 3

IMPROPER USE

Any use different from the ones specified above shall be considered as improper. In particular, it is forbidden to use the machine in areas or places classified as potentially explosive.

ATTENTION

Conformity with the use and maintenance instructions provided in this manual are essential for proper use.

Improper use of the machine voids any warranties, liability and the longevity of the machine.

PREPARING THE MACHINE

UNPACKING THE MACHINE

Unpack the machine and make sure it is in the proper condition.

If you are in doubt about anything, do not use the machine and address concerns to your dealer or the Technical Service Centre.

Keep the package for any returns to the manufacturer should maintenance under warranty be necessary.

ASSEMBLING THE MACHINE

Connecting the flexible hose (see fig. 3 and 4)

- Open the protection flap A of the quick-fit socket.
- Insert the plug B fully, making sure that once the flap is released, it lines up with slot C on the handle, locking it.

Disconnecting the flexible hose

- Raise the flap to free the plug and pull outwards to remove the hose from its slot.

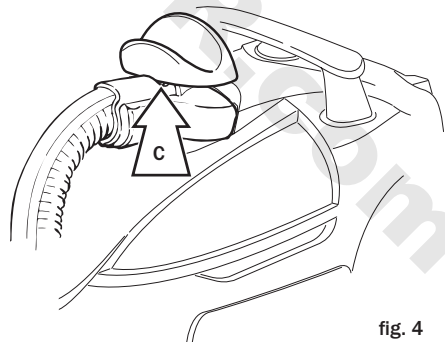


fig. 4

Assembling the extension wands (fig. 5)

- Move the connection button to the central position 0.
- Insert the extension wand.
- Turn the button to the right to block the wand in position (position 1 of Fig. 5).

Removing the extension wands

- Turn the locking button to the central position and pull off the wands.

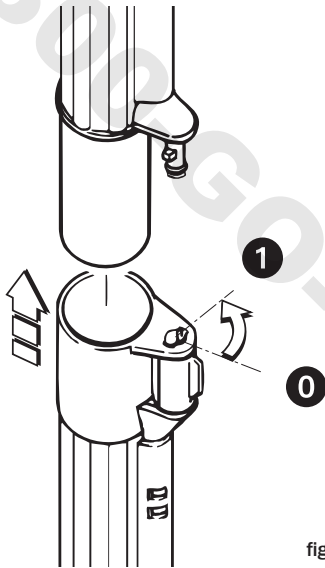


fig. 5

ASSEMBLING THE ACCESSORIES

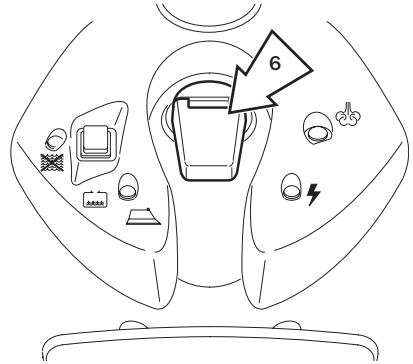
Choose the accessory that best suits your cleaning needs and insert it either in the handle or in the extension wands following the procedure described above.

FILLING THE MACHINE FOR STEAM

Disconnect the machine from the power supply.

Remove the tank cap 6 and fill with tap water up to the recommended level. Refit the cap.

For this operation it is advisable to use the drip catch bottle supplied.



REAR VIEW OF THE MACHINE

fig. 6



ATTENTION

Your steam cleaner has been designed for use with normal tap water. In order to extend the life of this product, if the degree of water hardness is very high in your area, we recommend using 50% tap water with 50% distilled water. Do not use other liquid (chemical, fragrances, etc...).

FILLING THE DUST COLLECTING TANK WITH WATER (FIG. 7–8)

To fill the tank with the water necessary for dust removal, proceed as follows:

- Disconnect the machine from the power supply.
- Remove the male plug of the flexible hose from the machine.
- Remove the dust collecting tank.
- Pull out the lower part of hook E and raise the tank cover.
- Fill with water up to the level indicated inside the tank (white mark).
- Reposition the tank on the machine making sure it is properly placed until limit stop.
- Re-connect the plug of the flexible hose to the machine (fig. 3-4).



ATTENTION

A wrongly fitted tank will result in a poor suction.

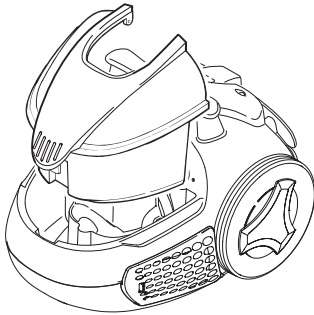


fig. 7

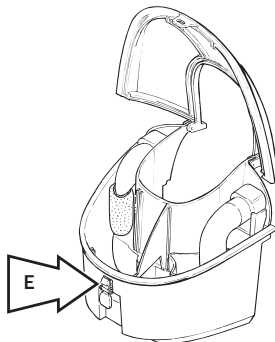


fig. 8

CONNECTION TO THE POWER SOURCE



CAUTION

Before connecting to the power source check that:

- the voltage and power ratings of the machine printed on the data plate located under the machine and indicated in the paragraph “Technical characteristics”, are compatible with the electrical system;
- the electrical system to which the machine will be plugged complies with the norms and has a safety switch for fault current that does not exceed a value of 20 amps;
- the electrical outlet to which the machine must be plugged has a rating of 16 A and it is properly grounded;
- the power cord has no damage or abrasions and is in perfect condition.



CAUTION

Never connect the plug to the power supply if it is wet or if you have wet or damp hands.



CAUTION

Never pull the electrical cord to unplug the socket. Instead, take the plug between forefinger and thumb and pull slowly and firmly.



CAUTION

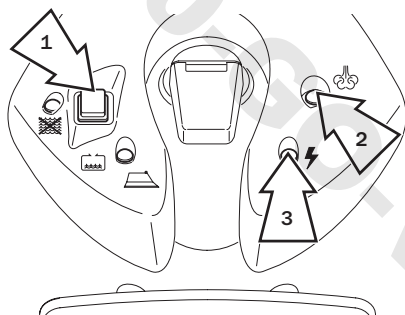
If the power cord is damaged, it must be replaced by qualified personnel of the Technical Service Centre.

STARTING THE MACHINE

Once the plug of the power cord has been connected to the power source, the machine can be operated in three different ways:

- 1 as a steam cleaner
- 2 as a steam and vacuum cleaner
- 3 as a vacuum cleaner

USING THE MACHINE AS A STEAM AND/OR VACUUM CLEANER



REAR VIEW OF THE MACHINE

fig. 9

- Check that the green voltage light 3 is ON.
- Press button 1. After a few minutes, the green light 2 will come on indicating that steam can be supplied.

- Push lever 14 (fig. 10) on the handle and start cleaning; to interrupt the steam flow release the lever.
- If you have to temporarily leave the machine unattended, block the steam lever pressing button 33 (fig. 10).

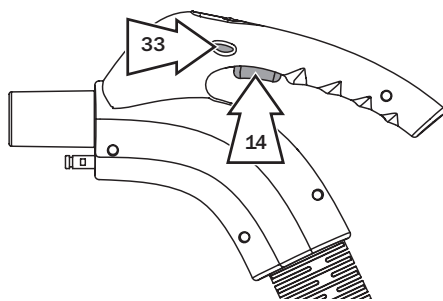


fig. 10



IMPORTANT

While in function, the green “steam” light 2 will turn on and off automatically according to the steam pressure in the boiler.

You can change the steam flow by rotating the knob 41 (fig.11). Rotate the knob clockwise to increase the flow. Rotate the knob counter-clockwise to decrease the flow.

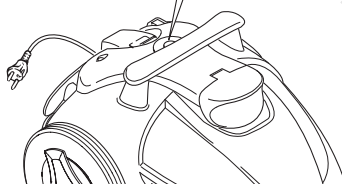
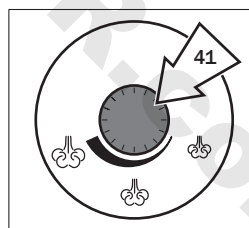


fig. 11

STEAM SUCTION

- Press button 9 (fig. 12) on the handle (with the symbol of the fan) to start suction. To interrupt suction push the same button.

USING THE MACHINE AS A VACUUM CLEANER

- Check that the green power light 3 is lit.
- Fill with water up to the level indicated inside the tank (white mark).
- Press button 9 (fig. 12) on the handle to activate suction, fit the accessory you wish and start cleaning. To interrupt vacuuming, press again button 9 (fig. 12).
- Press button 10 (fig. 12) (with the symbol +/-) to change the vacuum intensity.
- If you keep button 10 pressed for a few seconds, you can modify the intensity from maximum to minimum value. If you release button 10, the intensity set will be automatically saved by the machine.
- For small variations in suction power, press button 10 on and off intermittently.
- Once the vacuum cleaner is turned off, next time you use the machine is used the suction intensity will return to the maximum value.

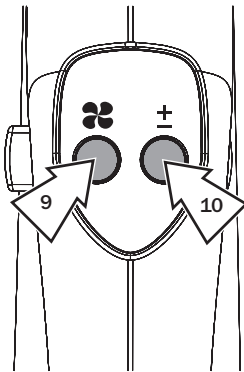
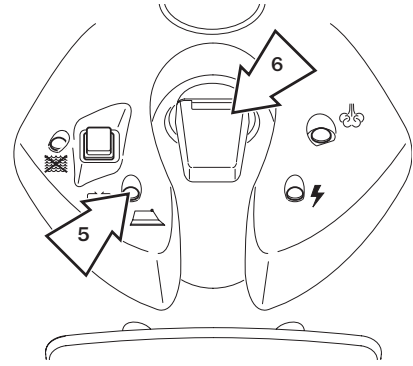


fig. 12

IF THE RED WATER INDICATOR LIGHT COMES ON



REAR VIEW OF THE MACHINE

fig. 13

When the indicator light 5 turns on and an intermittent beep sounds, the tank is running out of water. Therefore the steam flow will be interrupted.

If the light turns on, proceed as follows:

- Disconnect the machine from the power supply.
- Remove the plug 6 and fill it completely with tap water.
- Reconnect the machine to the power supply and continue cleaning.

IF THE DUST/DIRT COLLECTING TANK IS FULL

When the maximum level in the dirty water tank is reached, suction stops and the motor makes a different noise.

In this case, proceed as follows:

- Disconnect the machine from the power supply.
- Remove the plug of the flexible hose from the machine.
- Remove the dust collecting tank from its slot (fig. 7).
- Pull out hook E (fig. 14) and raise the tank cover.
- Empty the tank.
- Fill with water up to the level indicated inside the tank (white mark).
- Close the cover and reposition the tank on the machine making sure it is firmly in place (otherwise, there will be a poor suction).
- Re-connect the plug of the flexible hose to the machine and re-start your work.



ATTENTION

Do not remove the dirty water tank before the vacuum motor has stopped completely.

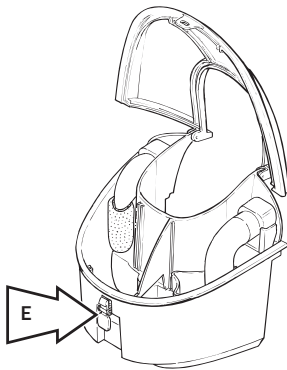


fig. 14

USING THE ACCESSORIES

UNIVERSAL BRUSH

Suitable for: cleaning any kind of surface.

To be mounted: on the extension wands.

Use: the cleaning brush can release steam to clean floors and at the same time extract the dirty liquid; it must be used moving it alternately backwards and forwards on the surface to be cleaned.

Use on dirty floors: After turning the machine on and after the green light 2 comes on (fig.9):

- Operate the steam lever 14 (fig. 15) on the handle, then press button 9 (fig. 12) to activate suction.
- Clean the surface using the brush.
- For ideal drying, interrupt the steam flow by releasing lever 14 but maintaining suction activated.

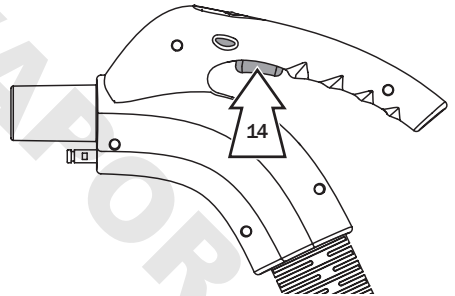


fig. 15

Use on very dirty floors:

- Operate the steam lever 14 (fig. 15) on the handle.
- Dissolve the dirt with steam activation and gently rubbing the brush bristles on the surface.
- Press button 9 (fig. 12) to activate suction.
- Remove the soiled liquid using the rubber scraper with alternate backward and forward movements.
- For ideal drying, interrupt the steam flow by releasing lever 14 but maintaining suction activation.

Use without steam on carpets:

In order to use the brush on carpets, remove the rubber frame and fit the one with bristles.

- Shift the stop buttons F outwards (fig. 16) to free the frame fitted to the brush.
- Fit the new frame and make sure it sits correctly in its slot. Shift the stop buttons F inwards to block the frame.

Use with steam on carpets:

In order to use the brush on carpets, remove the rubber frame and fit the rigid frame.

- Shift the stop buttons F outwards (fig. 16) to free the frame fitted to the brush.
- Fit the new frame and make sure it sits correctly in its slot.
- Shift the stop buttons F inwards to lock the frame.
- Operate steam lever 14 and vacuum button 9 on the handle.
- Simultaneously clean and vacuum the carpet using the brush with alternate, backwards and forwards movements.

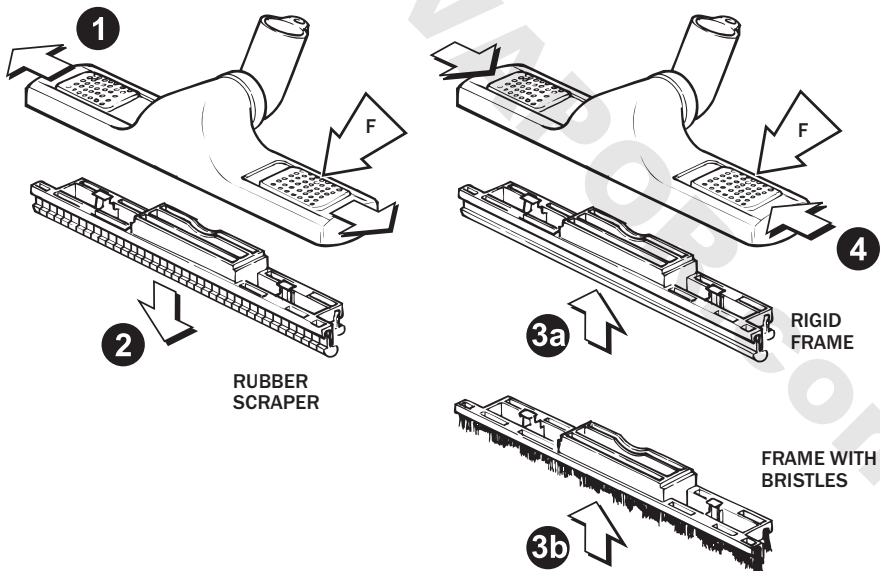


fig. 16

WINDOW SQUEEGEE

Suitable for: cleaning glass surfaces.

To be mounted: on the handle with or without extension wand.

Use of the window squeegee: After turning the machine on and after the green light 2 comes on (fig. 9):

- Operate steam lever 14 and vacuum button 9 on the handle.
- Use an overhand movement and, if necessary, scrape the surface with the rubber blade.



IMPORTANT

To clean areas next to the floor surface, hold the squeegee horizontal (fig.17).

Steam nozzle

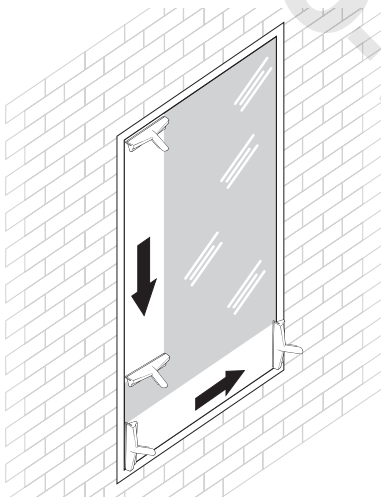


fig. 17

BRUSH FOR UPHOLSTERY

Suitable for: cleaning upholstery.

To be mounted: on the extension wands or directly to the handle.

Use: the upholstery brush can release steam to clean upholstery and at the same time extract the soiled liquid.

Use of the upholstery brush: After turning the machine on and after the green light 2 (fig. 9) comes on:

- Press suction button 9 on the handle (fig. 12).
- If needed, operate lever 14 (fig. 15) on the handle to release steam.
- extract the soiled liquid with alternate backward and forward movements.
- For ideal drying, interrupt the steam flow by releasing lever 14 while maintaining suction activation.

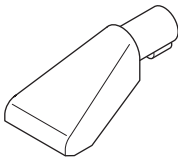


Fig. 18

CLEANING BRUSH FOR CARPETS/ MOQUETTES

Suitable for: cleaning carpets or moquettes.

To be mounted: on the extension wands.

Use: the carpet brush can release steam to clean carpets and/or moquettes and at the same time suck the dirty liquid. It must be used moving it alternatively backwards and forwards on the surface to be cleaned.

Use of the carpet cleaning brush: After turning the machine on and after the green light 2 (fig. 9) comes on:

- Press suction button 9 on the handle (fig. 12).
- If needed, operate lever 14 (fig. 15) on the handle to release steam.
- Extract the soiled liquid with alternate backward and forward movements.
- For ideal drying, interrupt the steam flow by releasing lever 14 while maintaining suction activation.

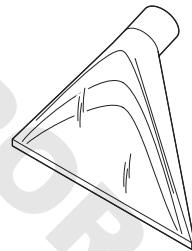


Fig. 19

CLEANING WITH CREVICE NOZZLE AND BRUSH

Suitable for: cleaning surfaces (with or without suction) such as radiators, toilets, washbasins or sinks, ovens, hard-to-reach gaps between tiles, etc.

To be mounted: on the handle with or without extension wands.

Use of the crevice nozzle: After turning the machine on and after the green light 2 comes on (fig. 9):

- Operate steam lever 14 (fig. 15) on the handle.
- Direct the jet of steam toward the surface to be cleaned.
- If the surface to be cleaned is very dirty, fit a small brush in the spout of the steam nozzle (fig. 20).

Cleaning hard-to-reach gaps between tiles:

- Assemble the extension wands and fit the steam nozzle.
- Put the small brush 20 in the spout of the steam nozzle (fig. 20) and crevice nozzle 18 in the adaptor (19).
- Direct the jet of steam toward the gap and loosen the dirt with an alternate back and forth movement.
- Switch off the steam flow and extract the dissolved residue with the brush touching the surface.

For this kind of cleaning, it is advisable to clean the floor in manageable sections.

Upholstery nozzle Suitable for: armchairs, sofas, mattresses, car interiors, etc.

To be mounted: on the handle with or without extension wands.

Use of the upholstery nozzle: Fit brush 30 to adaptor 19. Vacuum the surface with or without steam.

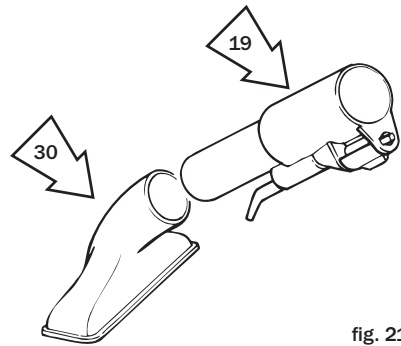


fig. 21

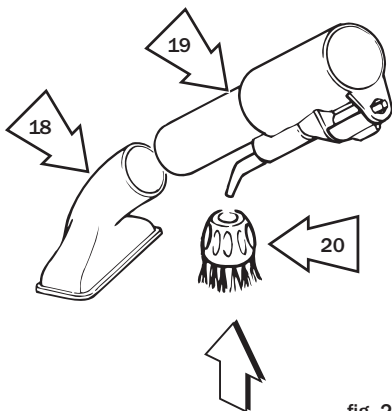
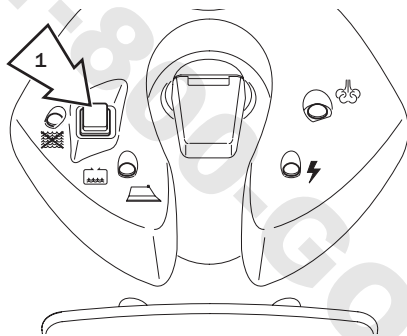


fig. 20

END OF USE

Once you have finished cleaning, all you need to do is to turn off the main switch 1 and unplug the appliance from the power supply. Then, roll up cord 12 in the cord storage. Empty and wipe clean the dust/dirt collecting tank.



REAR VIEW OF THE MACHINE

fig. 22

MAINTENANCE

Disconnect the machine from the power supply before any maintenance.

The machine is built with extremely reliable technology and components; therefore it does not require any special maintenance.

Careful use and strict compliance with these instructions are the best way to achieve the desired results and maximum performance.



CAUTION

This job must be performed after the machine has cooled down completely.

We recommend eliminating any scale deposits from the boiler at least twice a year as follows:

- Disconnect the machine from the power supply.
- Place a container under the machine, then remove plug X by turning it counter-clockwise using round nose pliers or the key provided (fig. 23).
- Drain the boiler into the container, then refit plug X with the relevant washer R.

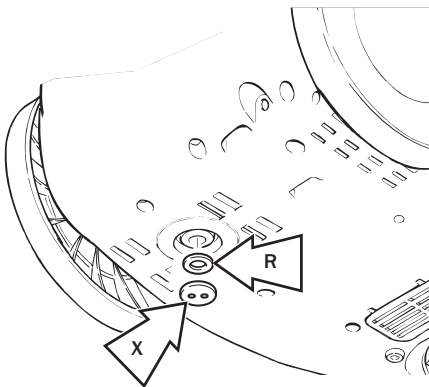


fig. 23

CLEANING THE FILTERS

Check that the Hepa filter, the activated carbon filter and the filter of the motor air inlet are clean. If necessary, replace these filters using original spare parts. It is recommended that these filters be replaced yearly.

REPLACING THE HEPA FILTER

- Disconnect the machine from the power supply.
- Open the grill on the right side by pushing the relevant fixing.
- Replace filter S and refit the grille.

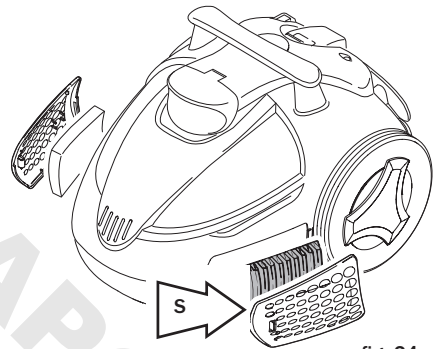


fig. 24

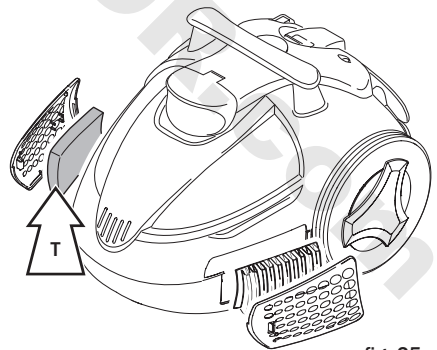


fig. 25

REPLACING THE ACTIVATED CARBON FILTER

- Disconnect the machine from the power supply.
- Open the grille on the left side by pushing the relevant fixing.
- Replace filter T and refit the grille.

REPLACING THE MOTOR AIR FILTER

- Disconnect the machine from the power supply.
- Remove the bottom grille U after loosening the relevant fixing screws.
- Replace filter V and refit the grille.

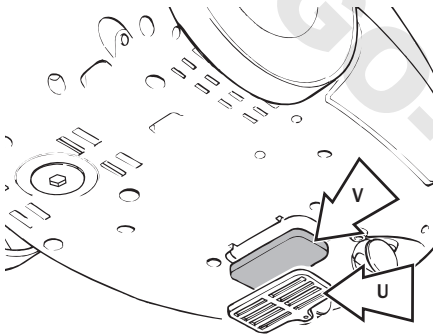


fig. 26

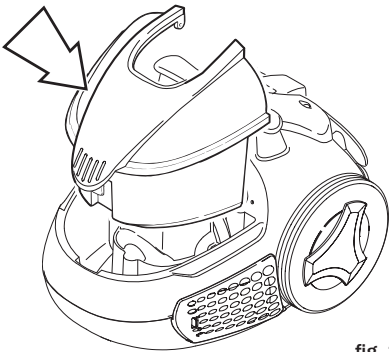


fig. 27

CLEANING THE AIR FILTER OF THE DUST COLLECTING TANK

Every time the air intake filter has to be cleaned, proceed as follows:

- Disconnect the machine from the power supply.
- Remove the male plug of the flexible hose from the machine.
- Remove the dust collecting tank from its seat on the machine (fig. 27) and lift up the protection cover.
- Remove the filtering element Z and wash it thoroughly with clean water.
- Refit the filtering element being very careful not to damage it
- Close the cover and reposition the tank on the machine.



ATTENTION

If the filtering element is damaged, replace it immediately.

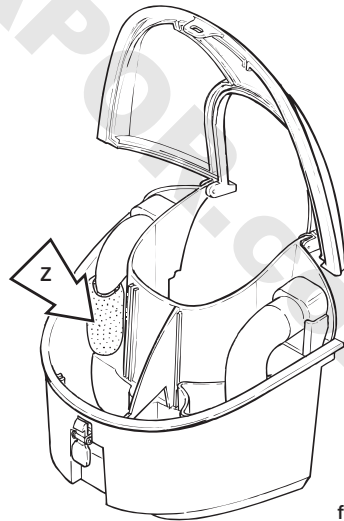


fig. 28

ELIMINATING DIRTY IMPURITIES FROM THE DRAIN HOSE

If the suction tends to be reduced and the water level in the dust collecting tank is correct, check the water drain hose as follows:

- Disconnect the machine from the power supply.
- Remove the plug of the flexible hose from the machine.
- Remove the dust collecting tank from its slot on the machine (fig. 29) and lift up the protection cover.
- Remove the drain hose J pulling it upwards and check it is not clogged. If the hose is clogged, clean it.
- Refit hose J, close the cover and reposition the tank on the machine.

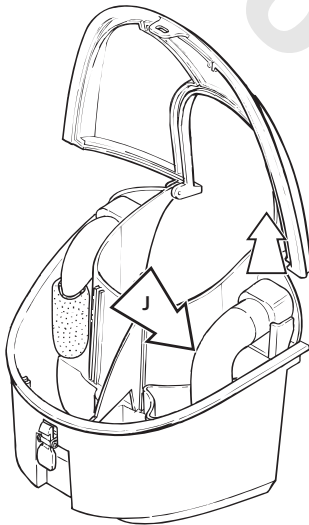


fig. 29

AFTER USE



ATTENTION

Disconnect the machine from the power source before doing the following operations.

Once finished using the machine:

- drain the water from the dust/dirt collecting tank and wipe the tank with a clean dry cloth
- store the machine in a dry place which is not subject to sudden temperature changes
- clean the machine with a soft cloth and some water; do not use any solvent or detergent
- store the machine on a horizontal surface (on the floor, if possible)
- clean the accessories with gentle soap and warm water.

DISPOSAL



Any product or packing bearing the symbol above cannot be regarded as a normal household waste and should be separated and delivered to an agreed collection and recycling centre for waste electrical and electronic appliances.

By disposing of this product in the recommended way, you will avoid potential negative consequences that could result from an improper disposal of the product.


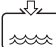
For more information on the recycling of this product, consult your local municipal office, the local waste disposal centre or the location where you purchased the product.



ATTENTION

Immediately after you decide to dispose of the machine, remove the power cord.

POSSIBLE PROBLEMS, CAUSES AND SOLUTIONS

PROBLEM	POSSIBLE CAUSE	SOLUTION
Poor suction	<ul style="list-style-type: none"> • The air filter is dirty • The rubber scrapers of the cleaning brush have not been fitted correctly • Low suction power of the machine • The flexible hose is clogged/kinked • The water drain hose is clogged • The level of clean water in the tank is too high (above the white mark inside the tank) 	Clean the filter Check they have been fitted Operate button 10 (fig. 12) on the handle and increase the suction power Disconnect the hose from the machine and eliminate any dirt Eliminate any impurities from the drain hose (fig. 29) Empty any water in excess of to the correct level
Anomalous noise of the motor	<ul style="list-style-type: none"> • The water in the dust collecting tank is at max level 	Drain water off the dust collecting tank
The machine is at pressure but it does not release steam	<ul style="list-style-type: none"> • The steam regulator knob is closed 	Turn regulator 41 (fig. 11) anticlockwise
Extension wands or accessories come loose easily	<ul style="list-style-type: none"> • The locking lever is not locked 	Shift the lever to position 1 (fig. 5)
Extension wands or accessories are hard to fit	<ul style="list-style-type: none"> • The connecting gaskets produce friction • The locking lever is not in the central position 	Lubricate the gaskets with some oil Turn the lever to the central position
The red light  indicating that the tank is running out of water, comes on	<ul style="list-style-type: none"> • The water reserve has been used 	Fill the tank with water and wait some 30 minutes. If the light does not go off, address to the Technical Service Centre.
The red light  indicating that the tank is running out of water, comes on	<ul style="list-style-type: none"> • The water reserve has been used 	Fill with water

1-800-GO-VAPOR.com



1 800 268 1649
www.reliablecorporation.com