

# Enviromate™ E3

## Steam Cleaning System

1-800-GO-VAPOR.COM



INSTRUCTION MANUAL  
GUIDE D'UTILISATION  
MANUAL DE INSTRUCCIONES

ENGLISH	01
FRANÇAIS	12
ESPAÑOL	24

1-800-GO-VAPOR.com

THE ENVIROMATE™ E3  
STEAM CLEANING SYSTEM  
INSTRUCTION MANUAL  
ENGLISH

1-800-GO-VAPOR.com

## CONGRATULATIONS

*We would like to thank you, and congratulate you for purchasing the ultimate steam cleaner from Reliable Corporation.*

*Dry vapor steam cleaning can deep clean and sanitize your home safely and effectively. Vapor steam is effective for killing dust mites, bacteria and mildew. It's perfect for cleaning, sanitizing and deodorizing all the rooms in your house, particularly bathrooms and the kitchen. For family members with chemical sensitivities, vapor steam cleaning is a great way to keep the house clean without using potentially harmful chemicals. Birdcages, aquariums, and pet areas; upholstery, drapery, & bedding are all made cleaner and safer for you, your family and your pets when you clean with vapor steam.*

*For your safety and to fully enjoy the advantages of this product, please take a few minutes to read all the important safeguards and care instructions. Keep this manual handy and review the product warranty card for your reference.*

*Note: your new steam cleaner may contain small amounts of water as all are factory tested prior to shipping.*

# IMPORTANT SAFETY INSTRUCTIONS

When using your Reliable™ steam cleaner, basic safety precautions should always be followed. Please read the following instructions carefully as they provide important information concerning how to install, use and care for this steam cleaner.

- Use the steam cleaner only for its intended use.
- To protect against a risk of electric shock, do not immerse the steam cleaner in water or any other liquids.
- The steam cleaner should always be turned OFF before plugging it into or unplugging from a wall outlet. Never pull the power cord to disconnect from the outlet; instead grasp the plug and pull to disconnect.
- Do not let the power cord touch hot surfaces. Let the steam cleaner cool completely before putting it away. Wrap the power cord around the posts that are positioned in the rear of the steam cleaner when not in use.
- Do not operate the steam cleaner with a damaged cord, plug, or if the steam cleaner has been dropped or damaged. This will void any and all warranties. Please contact the place of purchase for repair procedure.
- Close supervision is necessary for any appliance being used by or near children. Do not leave the steam cleaner on while unattended.
- Do not use this unit in the presence of explosive and/or flammable fumes.
- Keep ventilation slots free from dust.
- Never drop or insert any object into ventilation slots
- To prevent overheating, unravel the electrical cord completely.
- Do not operate where aerosol (spray) products are being used or where oxygen is being administered.
- To disconnect, turn all controls to the off position, then remove plug from the main power.
- Never put away your steam cleaner while it is still hot. There is no need for emptying the tank unless you intend to leave it unused for a long period of time.
- This product is intended for household use only. Follow all user instructions in this manual.

## ELECTRICAL INSTRUCTIONS

To avoid a circuit overload, do not operate another high-wattage appliance on the same circuit simultaneously with the steam cleaner. If an extension cord is necessary, a 15-amp rated cord with a polarized plug should be used. Cords rated for less may overheat and cause damage.

### *POLARIZED PLUG*

This steam cleaner uses a polarized plug (one blade is wider than the other). As a safety feature, this plug will fit into a polarized outlet only one way. If the plug does not fit fully into the power outlet, reverse the plug. If it still does not fit, contact a qualified electrician. Do not attempt to defeat this safety feature.

# WATER INSTRUCTIONS

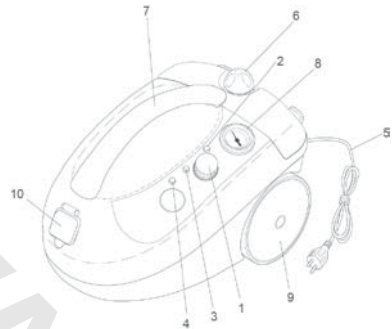
Your steam cleaner has been planned for use with normal tap water. In order to extend the life of this product, if where you are living the level of water hardness is very high, we recommend using 50% of normal water with 50% of distilled water.

## TEST FIRST, THEN CLEAN

Prior to cleaning, test the surfaces to be steam cleaned. We will not assume any responsibility where damage is done due to not testing first.

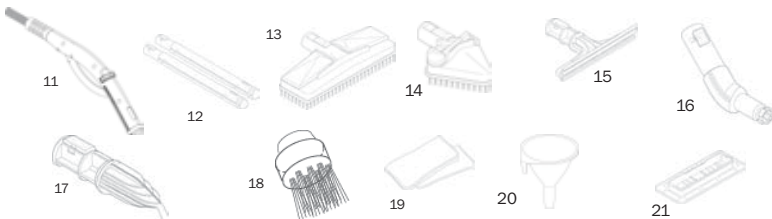
## DESCRIPTION OF THE STEAM CLEANER

1. Main switch
2. Working control light
3. Steam control light
4. Water level control light
5. Electrical cord
6. Steam tank cap
7. Carrying handle
8. Manometer / pressure gauge
9. Wheels
10. Flexible hose connecting outlet



## ACCESSORIES WITH STEAM CLEANER

11. Flexible hose with steam gun, steam control key and steam regulator
12. Extension tubes
13. Large brush
14. Triangular/Upholstery brush
15. Squeegee
16. Angle adapter
17. High pressure nozzle
18. Small round brush: nylon brush, brass brush
19. Wiping cloth
20. Funnel
21. Carpet sole plate



## HOW TO USE YOUR STEAM CLEANER

1. Remove the water tank cap (6), and fill the tank (6) up to a maximum of 1.5 quarts of water (1.5L or 6 cups). Secure the cap until snug.
2. Connect the electrical cord to the main power outlet.
3. Connect the flexible tube (12) to the appropriate accessory that you wish to use.
4. Turn the main switch (1) all the way to the right (last position). At this position the orange ready light will come on when the unit reaches operating pressure.
5. NOTE: Position #1 (steam icon in the middle) is used to exhaust steam only. The orange steam ready light does not come on when the switch is in the #1 position.
6. During use, the orange steam ready light (3) will alternatively turn on and off. This is normal, and indicates that steam is being generated in the boiler.
7. Before storage, you must exhaust the steam. To exhaust the steam, set the switch at the #1 position and press the steam trigger (11) on the steam gun.
8. When you are done, turn the main switch (0) to the off position, and unplug the unit. Your steamer is now ready for storage.
9. It is safe to leave water in the pressure tank when the steam cleaner is not in use. If it is for an extended period of time (months) then it is best to flush out the remaining water. To do so, follow the water removal instructions as outlined in the maintenance of the boiler section.

## THIS MODEL IS PROVIDED WITH THE FOLLOWING FEATURES

### RED CONTROL LIGHT (4)

A red warning light signals that the water needs to be refilled. If you wish to continue steam cleaning, see the “filling your tank” instructions.

### STEAM REGULATION (ON HANDLE)

With the steam delivery adjustment, it is possible to select the steam quantity that you wish during your cleaning from minimum to maximum.

### PRESSURE GAUGE (8)

The pressure gauge indicates the operating pressure of the steam cleaner. If the needle is in the green section, the product is operating normally. If the needle is continuously in the red section, reduce amount of steam being used, if this does not correct the problem the steam cleaner may require service. Please contact the place of purchase for service.

# USING THE ACCESSORIES

## CONNECTING THE ACCESSORIES

Insert the plug at the opposite end of the steam gun/hose (11) to the connecting outlet (10) all the way, making sure it cannot be pushed in further. Connect the handle of the steam gun (11) to the extension tubes (12), pressing the locking button lightly until the button snaps in. All the accessories are connected the same way.

The angle adapter (16) is used for the rectangular (13) and triangular (14) brush in the following way: hold the brush in one hand with the bristles pointing down while with the other hand inserts the angle adapter into the brush pointing it downward. After this, turn the angle adapter 180° so that the line on the angle adapter and the dot on the brush line up. When the line and the dot line up, you can adjust the grey lever to the middle position (locked) to lock the brush so that it cannot move, or to the position closest to you (rotate) to allow for the brush head to rotate. To remove the brush, make sure the grey lever is in the position furthest from you (assemble) and make sure the line on the adapter and the dot on the brush line up. Rotate 180° to remove.

## LARGE BRUSH

For cleaning hard floors, attach the extension tubes to the angle adapter to use the large brush. Attach a dry cloth to the brush for the most effective cleaning.

## CARPET SOLE

The carpet sole is used for “gliding” over carpets that otherwise would not be possible without this attachment, however it is for spot cleaning only. To use this accessory, snap it firmly (pushing down) into the large brush, making sure both “pins” are firmly in place (you will hear two clicks). To remove it, push both “pins” toward the outside of the brush, and lift out.

*CLEANING CARPETS WITH BRUSH, CARPET SOLE AND CLOTH: (\*THIS UNIT IS NOT AN EXTRACTION CLEANER)*

This steam cleaner cleans and disinfects all carpeting and rugs, even oriental rugs, without the use of chemicals. The steam cleaner frees them from animal hair and other unwanted items. It also renews the colours and raises the pile.

Start by vacuum cleaning the carpet to free it from dust and surface dirt. Wrap a cloth around the brush. This way the brush will glide over the floors without any risk of tearing the wool of the carpet. The turbulence produced by the steam and pressure causes the dirt to be sucked up right onto the wiping cloth.



For very dirty carpets and rugs, you may require several uses to achieve best results. To finish up or restore, repeat the operation with a clean, dry cloth over the brush.

*IMPORTANT: Always respect the product that you are cleaning, adhere to product's cleaning instructions and do a colour test in a non-obvious part of the fabric before you begin your cleaning. Reliable Corporation is not responsible when these guidelines are not followed completely.*

## TRIANGULAR/UPHOLSTERY BRUSH

The triangular brush is used where it is impossible or awkward to use the large brush.

*UPHOLSTERY, DRAPERY, BEDDING, ETC.*

Cover the brush with a clean dry cloth fixing it through the spring. Use a rapid back and forth motion, making sure that you do not over saturate the material with steam.

*IMPORTANT: Prior to cleaning do a color check in an area that is not easily seen before you begin cleaning. Reliable Corporation is not responsible when these guidelines are not followed completely.*

## SQUEEGEE

The squeegee makes the cleaning and degreasing of windows easy. Attach the squeegee and steam clean while removing off the dirt with the scraper.

*CAUTION: During cold weather, warm up the windows with the window cleaner from a 2"-4" distance and with very little steam flow before starting the actual cleaning (to prevent possible damage to the window).*

## HIGH PRESSURE NOZZLE WITH SMALL ROUND BRUSH (NYLON, BRASS, STAINLESS STEEL)

The high-pressure nozzle can be used with or without one of the small round brushes supplied with the steam cleaner. For items that are particularly prone to scratches, it is best to use the nozzle without a brush. For all other areas, start with the nylon brush (least abrasive) and carefully work your way up to the brass, then the stainless steel brush (optional). It is always better to use care when using the brushes to prevent damage or scratching.

The use of the steam nozzle alone is particularly good for cleaning and degreasing many working surfaces, ventilation hoods, see through oven doors, ventilation grating, kitchen furniture, stainless steel or enamel sinks, hand-basins, bath-tubs, water taps (to remove scale and water residue), doors, metal frames, car wheel rims, pet areas etc.

The nylon brush, because of its softness, is ideal for removing the dirt in grout, sinks and other surfaces where you need some light scrubbing action, but need to be careful not to scratch the surface.

Tougher cleaning jobs may require the use of the brass brush that is supplied. Please make sure you are careful that it does not scratch the surface with this tool. Brass is tougher than nylon, but softer than stainless steel. For surfaces (grout for example) where the dirt is not being properly lifted with the nylon brush, carefully using the brass brush may give the best results.

For the toughest cleaning assignments (very caked on grease, rust, barbeque grills, very dirty grout), we recommend that you purchase the optional stainless steel brush that is available through your dealer.

When using the steam nozzle with or without the brushes, you will need a cloth to wipe up the moisture and dirt that has been lifted through cleaning.

## FILLING THE TANK

If the (low) water level control light (4) comes on during usage, and you would like to continue using the steam cleaner, you will need to follow the following steps:

1. Turn the main switch (1) to the 1st position (this shuts off the power to the heating element).
2. Hold the steam control on the handle (11) until all the steam has evacuated the steam cleaner.
3. When there is no more steam, turn the main switch to the off position.
4. It is now safe to open the water tank cap (6). Refill the steam cleaner with warm (for faster heat up) water, refasten the water tank cap, turn main switch (1) to the 2nd position and wait for the steam control light (3) to turn on.

## MAINTENANCE OF THE BOILER

To maintain your steam cleaner in good condition and to ensure constant performance, we recommend that you periodically clean the boiler once or twice a year depending on the hardness of the water.

### CLEANING INSTRUCTIONS

*ATTENTION: Before cleaning the boiler with the supplied de-scaling powder, please make sure that the boiler is at room temperature, that it has not been used for at least 8 hours, and that the boiler is disconnected from the power source.*

1. Unscrew and remove the filling cap (6), turn the steam cleaner over and eliminate all water remaining in the boiler.

2. Dissolve completely the contents of the single package of de-scaling powder in 2 cups (0.5L) of water.
3. Pour the solution into the boiler.
4. Leave the solution in the boiler for one night with the filling cap off.
5. Completely empty the contents of the boiler and rinse three or four times with water in order to eliminate possible residues of scale.
6. It is a good idea to spray the first steam onto a cloth and not directly on any surface since there still may be scale in the system.

*ATTENTION: IT IS NOT RECOMMENDED THAT YOU USE ANY OTHER CHEMICAL TO CLEAN THIS PRODUCT. DOING SO WILL AUTOMATICALLY VOID THE WARRANTY.*

## ATTACHMENT COUPLINGS

If the attachment connections dry up after intensive use, put a small amount of lubricant (Vaseline) around the O-rings on the male attachment.

## TECHNICAL DESCRIPTION

120V Power	1750W
Cold water tank capacity	2L
Working pressure	4bar
Safety valve	Yes

## REPLACEMENT & OPTIONS

#EA30N	Nylon brush
#EA30B	Brass brush
#EA30SS	Stainless steel brush (not supplied with steam cleaner)
#EACLOTH2	Replacement cloths (2/pack)
#JTPOWDER	Cleaning powder

Other accessories are available by contacting your retailer or visiting [www.reliablecorporation.com](http://www.reliablecorporation.com).

## TROUBLESHOOTING

Do not operate the steam cleaner with a damaged cord, plug or if the steam cleaner has been dropped or damaged. To avoid risk of electric shock, do not disassemble or attempt to repair the unit on your own. Return the unit to Reliable Corporation (see warranty) for examination, repair or replacement.

<i>PROBLEM</i>	<i>POSSIBLE CAUSES</i>	<i>REMEDY</i>
No steam is released through the steam fittings.	<ol style="list-style-type: none"><li>1. Steam unit is not turned on.</li><li>2. Water tank is empty.</li><li>3. Unit is not plugged in.</li><li>4. Generator is not fully heated.</li></ol>	<ol style="list-style-type: none"><li>1. Turn steam unit onto the 2nd position.</li><li>2. Put required amount of water into tank.</li><li>3. Plug unit into outlet.</li><li>4. Wait for light (3) to turn on.</li></ol>
Drops of water leak from the attachments.	<ol style="list-style-type: none"><li>1. Unit is not fully heated.</li><li>2. Condensation was created from non-use.</li></ol>	<ol style="list-style-type: none"><li>1. Wait for light (3) to turn on.</li><li>2. Let water run through system until steam comes out.</li></ol>
Dirty water is coming out.	<ol style="list-style-type: none"><li>1. Scale may have built up.</li></ol>	<ol style="list-style-type: none"><li>1. Follow cleaning instructions in book.</li></ol>
Not enough steam pressure.	<ol style="list-style-type: none"><li>1. The dial on the handle may be set too low.</li></ol>	<ol style="list-style-type: none"><li>1. Turn the dial until the desired pressure is reached.</li></ol>



**LIMITED 1 YEAR WARRANTY**

For a period of one year from date of purchase we will, free of charge, repair defects in material or workmanship which appear in the mechanical or electrical parts of all Reliable™ brand products excluding all wear and tear components.

Wear & Tear Component List:

- Steam Equipment: press pad and cover, Teflon® seals, Teflon® shoe, steam-electric hoses
- Sewing Equipment: hooks, loopers, stitch plates, feed dogs, needles, motor clutch disc, brushes
- Cloth Cutting Equipment: blades, stones, sharpening bands, shoe

**LIMITED 90-DAY WARRANTY**

For a period of 90 days from date of purchase we will, free of charge, provide required adjustments and repairs to your Reliable™ product.

*Warranty service is available by returning the product with this warranty document and proof of purchase to your nearest authorized Reliable™ service center.*

This limited warranty is in effect provided that your machine is used for normal purposes for which it was intended, and is given reasonable good care and maintenance in accordance with the instructions contained in the instruction booklet.

Your authorized dealer (or Reliable Corporation) will not be held responsible for damage if the machine has been repaired by an unauthorized dealer.

These warranties give you specific legal rights and you may have other rights, which vary from province/state to province/state.

If you have any questions regarding these warranties, you may write to:

Reliable Corporation  
100 Wingold Avenue, Unit 5  
Toronto, Ontario  
Canada M6B 4K7  
[www.reliablecorporation.com](http://www.reliablecorporation.com)

ENVIROMATE™ E3  
SYSTÈME DE NETTOYAGE À LA VAPEUR  
MANUEL D'INSTRUCTIONS  
FRANÇAIS

1-800-GO-VAPOR.com

## FÉLICITATIONS

*Nous vous remercions et vous félicitons pour l'achat du dernier nettoyeur à vapeur de la Compagnie Reliable.*

*Le nettoyage à vapeur avec de la vapeur sèche peut nettoyer en profondeur et désinfecter votre maison d'une manière sécuritaire et efficace. Le nettoyage à vapeur est efficace pour terminer avec les acariens, les bactéries et la moisissure. C'est parfait pour nettoyer, désinfecter et déodoriser toutes les pièces de votre maison, particulièrement la salle de bain et la cuisine. Pour les membres de la famille avec de la sensibilité aux chimiques, le nettoyage à vapeur est une excellente façon de garder la maison propre, sans utiliser des produits chimiques potentiellement nocifs. Les volières, les aquariums et les endroits réservés aux animaux ; les revêtements, les rideaux et les lits sont tous plus propres et plus sécuritaires pour vous, votre famille et vos animaux lorsque vous nettoyez avec le système à la vapeur.*

*Pour votre sécurité et pour profiter complètement des avantages de ce produit, veuillez prendre quelques minutes pour lire toutes les mesures de sécurité et les instructions de précaution. Conservez ce manuel à portée de main et révisez la carte de garantie du produit pour votre référence.*

*Remarque : votre nouveau nettoyeur à vapeur peut avoir une petite quantité d'eau puisqu'ils sont tous testés par le fabricant avant l'envoi.*

# IMPORTANTES MESURES DE SÉCURITÉ

Des mesures fondamentales de sécurité doivent toujours être respectées lorsque vous utilisez votre nettoyeur à vapeur Reliable™. Veuillez lire attentivement les instructions suivantes, car elles fournissent des informations importantes concernant l'installation, l'utilisation et l'entretien de ce nettoyeur à vapeur.

- Utilisez le nettoyeur à vapeur uniquement pour son utilisation prévue.
- Pour éviter tout risque de décharge électrique, ne pas immerger le nettoyeur à vapeur dans de l'eau ou tout autre liquide.
- Le nettoyeur à vapeur doit toujours être éteint avant de le brancher ou le débrancher d'une prise murale. Ne tirez jamais sur le cordon d'alimentation pour le débrancher de la prise, empoignez plutôt la fiche et tirez pour débrancher.
- Ne laissez pas le cordon d'alimentation toucher des surfaces chaudes. Laissez refroidir le nettoyeur à vapeur complètement avant de le ranger. Enroulez le cordon d'alimentation autour des poteaux qui sont positionnés à l'arrière du nettoyeur à vapeur lorsqu'il n'est pas utilisé.
- Ne faites pas fonctionner le nettoyeur à vapeur avec un cordon ou une prise endommagée, ou si le nettoyeur a été échappé ou endommagé. Ceci mettra fin à la garantie. Veuillez contacter le lieu d'achat pour la procédure de réparation.
- Porter une attention particulière lorsqu'on utilise l'appareil à proximité des enfants. Ne laissez pas le nettoyeur à vapeur en marche lorsqu'il est sans surveillance.
- N'utilisez pas l'appareil en présence d'explosifs et/ou de vapeurs inflammables.
- Gardez les fentes de ventilation sans poussière.
- Évitez de laisser tomber ou d'insérer un objet dans les fentes de ventilation.
- Afin de prévenir la surchauffe, déroulez complètement le cordon électrique.
- Ne faites pas fonctionner l'appareil en cas d'utilisation de produits en aérosol (vaporisateurs) ou d'administration d'oxygène.
- Pour débrancher, tournez les boutons de réglage à la position « Off » (arrêt) puis retirez la fiche de l'alimentation principale.
- Ne rangez jamais votre nettoyeur à vapeur lorsqu'il est encore chaud. Il n'est pas nécessaire de vider le réservoir à moins que vous souhaitiez ne pas l'utiliser pour une longue période.
- Ce produit a été conçu seulement pour un usage ménager. Suivre toutes les instructions de ce manuel.



# INSTRUCTIONS ÉLECTRIQUES

Pour éviter les surcharges de circuit, n'utilisez pas un autre appareil à puissance élevée sur le même circuit simultanément avec votre nettoyeur à vapeur.

Si un cordon d'extension est nécessaire, un cordon nominal de 15 ampères avec une prise polarisée doivent être utilisés. Les cordons cotés pour moins d'ampères peuvent se surchauffer et entraîner des dommages.

## PRISE POLARISÉE

Ce nettoyeur à vapeur utilise une prise polarisée (l'une des lames est plus large que l'autre). Comme dispositif de sécurité, cette fiche entrera dans une prise polarisée d'une seule façon. Si la prise ne s'adapte pas parfaitement à la prise d'alimentation, retournez-la. Si elle ne s'adapte toujours pas, contactez un électricien qualifié. Ne tentez pas de défaire cette caractéristique de sécurité.

# INSTRUCTIONS DE L'EAU

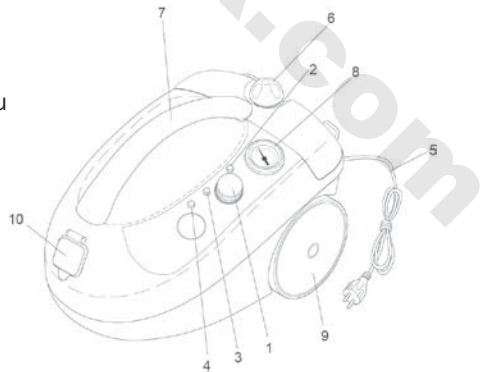
Votre nettoyeur à vapeur a été conçu pour utiliser de l'eau du robinet standard. Afin de prolonger la durée de vie de ce produit, si là où vous habitez le niveau de dureté de l'eau est très élevé, nous vous suggérons d'utiliser 50 % de l'eau normale avec 50 % de l'eau distillée.

# PREMIÈREMENT, TESTEZ PUIS NETTOYEZ

Avant de nettoyer, testez les surfaces à être nettoyées à vapeur. Nous ne prenons aucune responsabilité en cas de dommage fait en raison de ne pas avoir testé en premier.

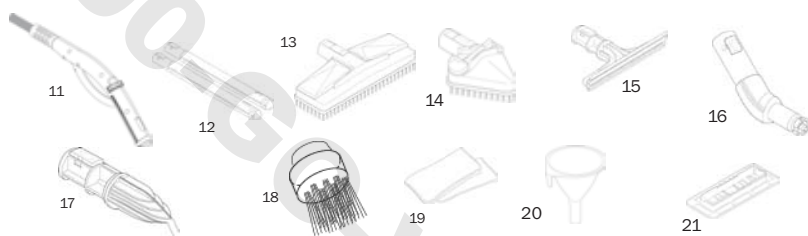
# DESCRIPTION DU NETTOYEUR À VAPEUR

1. Interrupteur principal
2. Lumière de contrôle de travail
3. Lumière de contrôle de vapeur
4. Lumière de contrôle du niveau d'eau
5. Cordon électrique
6. Capuchon du réservoir d'eau
7. Poignée de transport
8. Manomètre/Jauge de pression
9. Roues
10. Raccord de branchement de tuyau flexible



## ACCESSOIRES DU NETTOYEUR À VAPEUR

11. Le tuyau flexible avec le pistolet à vapeur, la touche de contrôle de la vapeur et le régulateur de vapeur
12. Tubes de rallonge
13. Brosse large
14. Brosse triangulaire/à tissus d'ameublement
15. Raclette
16. Adaptateur à angle
17. Embout à pression élevée
18. Petite brosse ronde : Brosse en nylon, brosse à cuivres
19. Tissu d'effacement
20. Entonnoir
21. Adaptateur pour moquettes



## COMMENT UTILISER VOTRE NETTOYEUR À VAPEUR

1. Enlevez le capuchon du réservoir d'eau (6), remplissez le réservoir (6) jusqu'à un maximum de 1.5 litre d'eau (1.5L ou 6 tasses). Fixez le capuchon jusqu'à ce qu'il soit bien serré.
2. Branchez le cordon électrique à la prise de courant principale.
3. Ajustez le tube flexible (12) à l'accessoire approprié que vous souhaitez utiliser.
4. Tournez l'interrupteur principal (1) complètement vers la droite (dernière position). À ce stade, l'indicateur lumineux de vapeur s'allumera lorsque l'appareil aura atteint la pression de fonctionnement.
5. REMARQUE : Position No 1 (icône de vapeur au centre) est utilisé pour faire sortir la vapeur seulement. L'indicateur lumineux de vapeur ne s'allumera pas lorsque l'interrupteur est la position No1.
6. Pendant l'utilisation, la lumière d'avertissement orange de vapeur (3) s'allumera et s'éteindra alternativement. Ceci est tout à fait normal et indique que la vapeur est en train d'être générée dans le chauffe-eau.
7. Avant le rangement, vous devez faire sortir la vapeur. Pour faire sortir la vapeur, réglez l'interrupteur à la position No 1 et appuyez sur la gâchette à vapeur (11) sur le pistolet à vapeur.

8. Lorsque vous avez terminé, mettez l'interrupteur principal (0) à la position arrêt et débranchez l'appareil. Votre nettoyeur à vapeur est maintenant prêt à être rangé.
9. Il est sécuritaire de laisser l'eau dans le réservoir de pression lorsque le nettoyeur à vapeur n'est pas utilisé. Si c'est le cas d'une période prolongée (des mois), il est préférable d'enlever l'eau qui y reste. Pour le faire, suivez les instructions pour enlever l'eau tel que décrit dans la section d'entretien du chauffe-eau.

## CE MODÈLE POSSÈDE LES CARACTÉRISTIQUES SUIVANTES

### *LUMIÈRE DE CONTRÔLE ROUGE (4)*

Une lumière d'avertissement rouge signifie que l'eau doit être remplie. Si vous souhaitez continuer à nettoyer, veuillez voir les instructions "remplir votre réservoir."

### *RÉGULATION DE LA VAPEUR (POIGNÉE)*

Avec l'ajustement de distribution de la vapeur, il est possible de sélectionner la quantité de vapeur que vous souhaitez utiliser lors de votre nettoyage, de minimum à maximum.

### *JAUGE DE PRESSION (8)*

La jauge de pression indique la pression de fonctionnement du nettoyeur à vapeur. Si l'indicateur est dans la section verte, le produit fonctionne normalement. Si l'indicateur est de façon continue dans la section rouge, réduisez la quantité de vapeur qui est utilisée ; si cela ne corrige pas le problème, le nettoyeur à vapeur pourrait avoir besoin d'une révision. Veuillez contacter le lieu d'achat pour la procédure de révision.

## UTILISER LES ACCESSOIRES

### *BRANCHER LES ACCESSOIRES*

Insérez le raccord au bout opposé du tuyau du pistolet à vapeur (11) sur le branchement de sortie (10) jusqu'au fond, en vous assurant qu'il ne puisse pas être poussé plus loin. Branchez la poignée du pistolet à vapeur (11) aux tubes de rallonge (12), en appuyant sur le bouton de verrouillage légèrement jusqu'à que le bouton s'enclenche. Tous les accessoires sont branchés de la même façon.

L'adaptateur à angle (16) est utilisé la brosse rectangulaire (13) et la triangulaire (14) de la façon suivante. Avec une main, tenez la brosse avec les poils vers le bas, puis avec votre autre main, insérez l'adaptateur à angle dans la brosse qui pointe vers le bas. Après cela, tournez l'adaptateur à angle à 180° de façon à ce que la ligne sur l'adaptateur à angle et le point sur la brosse soient alignés.

Lorsque la ligne et le point sont alignés, vous pouvez régler le levier gris à la position central (verrouillé) pour verrouiller la brosse de façon à ce qu'elle ne puisse plus se déplacer ou à la position le plus près de vous (tourner) pour permettre à la tête de la brosse de tourner. Pour enlever la brosse, assurez-vous que le levier gris est la position le plus près de vous (rassemblé) et assurez-vous que la ligne sur l'adaptateur et le point sur la brosse sont alignés. Tournez à 180° pour enlever.

## BROSSE LARGE

Pour nettoyeur des plafonds durs, attachez les tubes de rallonge à l'adaptateur à angle pour utiliser la brosse large. Attachez un chiffon sec à la brosse pour un nettoyage efficace.

## ADAPTATEUR POUR MOQUETTES

L'adaptateur pour moquettes est utilisé pour se « glisser » sur les moquettes qui, autrement, ne serait pas possible sans cet attachement, mais il est uniquement pour nettoyer les taches. Pour utiliser cet accessoire, enclenchez-le fermement (en poussant vers le bas) dans la brosse large, en vous assurant que les deux « broches » sont fermement en place (vous entendrez deux clics). Pour l'enlever, poussez les deux « broches » vers l'extérieur de la brosse puis soulevez-les.

*NETTOYER LES MOQUETTES AVEC LA BROSSE, L'ADAPTATEUR DE MOQUETTES ET LE CHIFFON : (\*CET APPAREIL N'EST PAS UN NETTOYEUR D'EXTRACTION)*

Ce nettoyeur à vapeur nettoie et désinfecte tous les tapis ou carpettes, même les carpettes orientales, sans utiliser des produits chimiques. Le nettoyeur à vapeur les libère des poils d'animal et d'autres objets indésirables. Il renouvelle aussi les couleurs et élève les fibres.

Commencez par aspirer la moquette pour nettoyer la poussière et la saleté de la surface. Enroulez un chiffon autour de la brosse. De cette façon, la brosse se glissera sur les plafonds sans risque de déchirer les fibres de la moquette. La turbulence produite par la vapeur et la pression permet que la poussière soit aspirée par le tissu d'effacement.

Pour des tapis et des carpettes trop sales, vous devez l'utiliser plusieurs fois pour de meilleurs résultats. Pour finir ou rétablir, répétez l'opération avec un chiffon sec et propre sur la brosse.

*IMPORTANT : Respectez toujours les instructions de nettoyage du produit et faites un examen de la couleur dans des parties non évidentes du tissu avant de commencer le nettoyage. Reliable Corporation n'est pas responsable si les directives ne sont pas complètement suivies.*

## BROSSE TRIANGULAIRE/À TISSUS D'AMEUBLEMENT

La brosse triangulaire est utilisée lorsqu'il est impossible ou dangereux d'utiliser la brosse large.

*REVÊTEMENTS, RIDEAUX, LITS, ETC.*

Couvrez la brosse avec un chiffon sec et propre, en l'arrangeant à travers du ressort. Utilisez un mouvement rapide de l'avant vers l'arrière, en vous assurant que vous n'êtes pas en train de saturer le matériel avec de la vapeur.

*IMPORTANT : Avant de nettoyer, faites un examen de la couleur dans une zone qui ne soit pas facilement visible. Reliable Corporation n'est pas responsable si les directives ne sont pas complètement suivies.*

## RACLETTE

La raclette rend le nettoyage et le dégraissage des fenêtres plus faciles. Attachez la raclette et le nettoyeur à vapeur lorsque vous enlevez la poussière avec le racloir.

*ATTENTION : Pendant les températures froides, chauffez les fenêtres avec le nettoyeur de fenêtres à une distance de 2"-4" (5-10 cm) et avec un petit débit de vapeur avant de commencer le nettoyage régulier (pour éviter d'endommager la fenêtre).*

## EMBOUT À PRESSION ÉLEVÉE AVEC LA PETITE BROSSE RONDE (NYLON, LAITON, ACIER INOXYDABLE)

L'embout à pression élevée peut être utilisé avec ou sans une des petites brosses rondes fournies avec le nettoyeur à vapeur.

Pour les objets qui sont particulièrement à risque d'égratignures, il est mieux d'utiliser l'embout sans la brosse. Pour toutes les autres zones, commencez avec la brosse en nylon (la moins abrasive) puis soigneusement essayez avec la brosse de laiton puis avec celle en acier inoxydable (optionnel). Il est toujours mieux de faire attention lorsque vous utilisez les brosses pour éviter les dommages ou les égratignures.

L'utilisation de l'embout de vapeur seule est particulièrement bonne pour nettoyer et dégraisser plusieurs surfaces de travail, la hotte de ventilation, voir à travers les portes de four, les grilles de ventilation, les meubles de la cuisine, les éviers en acier inoxydable ou en émail, les lavabos, les baignoires, les robinets d'eau (pour enlever les détartres et résidus de l'eau), les portes, les encadrements en métal, les jantes de l'auto, les endroits réservés aux animaux, etc.

Grâce à sa finesse, la brosse en nylon est idéale pour enlever la poussière dans le coulis, les éviers et toute autre surface où vous aurez besoin de frotter, mais prenez attention de ne pas égratigner la surface.

Les travaux de nettoyage plus durs requièrent l'utilisation de la brosse à cuivres qui est fournie. Veuillez vous assurer d'avoir attention à ne pas égratigner la surface avec cet outil. Le cuivre est plus dur que le nylon, mais plus doux que l'acier inoxydable. Pour les surfaces (les coulis par exemple) où la poussière n'est pas enlevée correctement avec la brosse en nylon, utiliser avec attention la brosse en cuivre peut vous donner de meilleurs résultats.

Pour les travaux de nettoyages les plus durs (très durci dans la graisse, la rouille, les grillades du barbecue, des coulis très sales), nous vous suggérons d'acheter la brosse en acier inoxydable optionnelle qui est disponible dans votre distributeur.

Lorsque vous utilisez l'embout de vapeur avec ou sans les brosses, vous aurez besoin d'un chiffon pour essuyer la mouillure et la saleté qui a été soulevée par le nettoyage.

## REEMPLISSER LE RÉSERVOIR

Si la lumière de contrôle du niveau (bas) d'eau (4) s'allume lors de l'utilisation, et vous souhaitez continuer à utiliser votre nettoyeur à vapeur, alors vous devez suivre les étapes suivantes :

1. Tournez l'interrupteur principal (1) à la 1<sup>re</sup> position (ceci éteindra l'alimentation à l'élément chauffant).
2. Tenez le contrôle de vapeur sur la poignée (11) jusqu'à ce que toute la vapeur ait évacué le nettoyeur à vapeur.
3. Lorsqu'il n'y a plus de vapeur, mettez l'interrupteur principal en position d'arrêt.
4. Il est maintenant sécuritaire d'ouvrir le capuchon du réservoir d'eau (6). Remplissez le nettoyeur à vapeur avec de l'eau chaude (pour un chauffage plus rapide), refermez le capuchon du réservoir d'eau, tournez l'interrupteur principal (1) à la 2<sup>e</sup> position puis attendez jusqu'à ce que la lumière de contrôle de vapeur (3) s'allume.

## ENTRETIEN DE LA CHAUDIÈRE

Pour maintenir votre nettoyeur à vapeur en bonne condition et pour assurer une performance constante, nous vous suggérons de nettoyer périodiquement la chaudière une ou deux fois par an selon la dureté de l'eau :

### INSTRUCTIONS DE NETTOYAGE

**ATTENTION :** Avant de nettoyer la chaudière avec la poudre de détartrage fournie, veuillez vous assurer que la chaudière est à la température ambiante, qu'elle n'ait pas été utilisée pour au moins 8 heures et qu'elle ne soit pas débranchée de la source d'alimentation.

1. Dévissez et enlevez le bouchon de remplissage (6), tournez le nettoyeur à vapeur à l'envers puis éliminez toute l'eau qui reste dans la chaudière.
2. Dissolvez complètement le contenu de l'unique paquet de la poudre de détartrage dans 2 tasses (0,5 l) d'eau.
3. Versez la solution dans la chaudière.
4. Laissez la solution dans la chaudière pendant une nuit sans le bouchon de remplissage.
5. Videz complètement le contenu de la chaudière et rincez trois ou quatre fois avec de l'eau afin d'éliminer tout possible résidu de tartre.
6. Il est mieux de pulvériser avec la première vapeur sur un chiffon et non directement sur la surface puisqu'il peut encore y avoir des tartres dans le système.

ATTENTION : Nous ne vous recommandons pas d'utiliser tout autre produit chimique pour nettoyer ce produit. Si vous le faites, cela annulera automatique la garantie.

## COUPLAGES D'ASSEMBLAGE

Si les couplages d'assemblage se sèchent après une utilisation intensive, mettez une petite quantité de lubrifiant (Vaseline) autour des joints toriques de l'assemblage mâle.

## DESCRIPTION TECHNIQUE

120V Puissance	1750W
Capacité du réservoir d'eau froide	2L
Pression de fonctionnement	4 bars
Valve de sécurité	Oui

## REPLACEMENT ET OPTIONS

#EA30N	Brosse en nylon
#EA30B	Brosse en cuivre
#EA3OSS	Brosse en acier inoxydable (non fournie avec le nettoyeur à vapeur)
#EACLOTH2	Chiffons de remplacement (2/paquet)
#JTPOWDER	Poudre de nettoyage

Les autres accessoires sont disponibles en contactant le détaillant ou en visitant le site internet au [www.reliablecorporation.com](http://www.reliablecorporation.com).

## DÉPANNAGE

Ne faites pas fonctionner le nettoyeur à vapeur avec un cordon ou une prise endommagée, ou si le nettoyeur a été échappé ou endommagé. Pour éviter tout risque de décharge électrique, ne démontez pas ou n'essayez pas de réparer l'appareil par vous-même. Retournez l'appareil à Reliable Corporation (voir garantie) pour toute vérification, réparation ou remplacement.

PROBLÈME	CAUSE POSSIBLE	SOLUTION
L'appareil ne produit pas de vapeur.	<ol style="list-style-type: none"><li>1. L'appareil n'est pas en marche.</li><li>2. Il n'y a pas d'eau dans le réservoir.</li><li>3. L'appareil n'est pas branché.</li><li>4. Le préchauffage n'est pas terminé.</li></ol>	<ol style="list-style-type: none"><li>1. Mettez l'appareil en marche à la 2e position.</li><li>2. Remplissez le réservoir avec la quantité d'eau nécessaire.</li><li>3. Branchez l'appareil dans une prise.</li><li>4. Attendez que la lumière (3) s'allume.</li></ol>
L'eau coule par les assemblages.	<ol style="list-style-type: none"><li>1. Le préchauffage n'est pas terminé.</li><li>2. La condensation a été créée par non-usage.</li></ol>	<ol style="list-style-type: none"><li>1. Attendez que la lumière (3) s'allume.</li><li>2. Laissez couler l'eau à travers le système jusqu'à ce que la vapeur commence à sortir.</li></ol>
Il y a de l'eau sale qui sort.	<ol style="list-style-type: none"><li>1. Il peut y avoir une accumulation de tartre.</li></ol>	<ol style="list-style-type: none"><li>1. Suivez les instructions de nettoyage du livre.</li></ol>
Il n'y a pas assez de pression de vapeur.	<ol style="list-style-type: none"><li>1. Le cadran de la poignée pourrait être réglé trop bas.</li></ol>	<ol style="list-style-type: none"><li>1. Tournez le cadran jusqu'à la pression désirée.</li></ol>



### **GARANTIE LIMITÉE D'UN AN**

Pour une période d'un an à partir de la date d'achat, nous réparerons, sans frais, tout défaut de matériau ou de main-d'œuvre qui paraît dans les composants mécaniques ou électriques de tout produit de marque Reliable<sup>MC</sup>, sauf dans les composants sujets à l'usure.

Liste des composants sujets à l'usure :

- Appareils à vapeur : Tampon de presse et couverture, joints Teflon<sup>®</sup>, semelle Teflon<sup>®</sup>, boyaux à vapeur-électriques
- Machines à coudre : Crochets, boucleurs, plaque de couture, griffes d'entraînement, aiguilles, disque d'embrayage du moteur, balais, fusible
- Coupeuses d'étoffes : Lames, pierres, bandes d'affûtage, semelle

### **GARANTIE LIMITÉE DE 90 JOURS SUR TOUTES LES PIÈCES ET LES RÉGLAGES**

Pour une période de 90 jours suivant la date d'achat, nous effectuerons, sans frais, les réglages et réparations requis sur votre produit Reliable<sup>MC</sup>.

*Le service en vertu de la garantie est offert en retournant votre produit, accompagné de ce document de garantie et de la preuve d'achat, à votre centre de service après-vente autorisé Reliable<sup>MC</sup> le plus proche.*

Cette garantie limitée demeurera en vigueur pourvu que votre machine a été utilisée aux fins pour lesquelles elle a été conçue, et pourvu qu'elle ait été nettoyée et entretenue de manière appropriée et conformément aux instructions fournies dans le guide d'utilisation.

Votre détaillant autorisé (ou Reliable Corporation) ne sera pas responsable des dommages si la machine a été réparée par un détaillant non autorisé.

Ces garanties vous confèrent certains droits spécifiques et vous pourriez avoir d'autres droits qui varient d'une province/état à l'autre.

Si vous avez des questions concernant ces garanties, veuillez nous écrire à :

Reliable Corporation  
100 Wingold Avenue, Unit 5  
Toronto, Ontario  
Canada M6B 4K7  
[www.reliablecorporation.com](http://www.reliablecorporation.com)

ENVIROMATE™ E3  
SISTEMA DE LIMPIAR CON VAPOR  
MANUAL DE INSTRUCCIONES  
ESPAÑOL

1-800-GO-VAPOR.com

## FELICIDADES

*Nosotros le felicitamos y le damos las gracias por comprar el más moderno limpiador de vapor de Reliable Corporation.*

*La limpieza con vapor seco puede higienizar profundamente y desinfectar su hogar con seguridad y efectividad. El vapor es efectivo para matar los parásitos que están en el polvo, bacterias y moho. Es perfecto para limpiar, esterilizar y desodorizar todas las habitaciones de su casa, especialmente los baños y la cocina.*

*Para los familiares que tienen sensibilidad a los químicos, la limpieza con vapor es una buena manera de limpiar la casa sin usar químicos dañinos. Las jaulas de pájaro, las peceras y los lugares donde están sus mascotas; las tapicerías, las cortinas y las ropas de cama se pueden higienizar mejor y con más seguridad para usted, su familia, y para sus mascotas cuando usted limpia con vapor.*

*Para su seguridad y para que pueda disfrutar completamente de las ventajas de este producto, por favor tome unos minutos para leer todas las advertencias de seguridad y las instrucciones para el cuidado del aparato. Mantenga este libreto a mano y revise la tarjeta de garantía para su referencia.*

*Aviso: Su limpiador de vapor puede contener pocas cantidades de agua porque todos los equipos son comprobados en la fábrica antes de ser enviados.*

## NOTICIA IMPORTANTE PARA SU SEGURIDAD

Cuando use su limpiador de vapor marca Reliable<sup>MR</sup> siempre debe seguir las instrucciones de precaución y seguridad. Por favor lea todas las instrucciones cuidadosamente pues ellas tienen información importante concerniente a como se debe instalar, usar y cuidar la limpiadora de vapor.

- Utilice el limpiador de vapor solo para el uso que esta previsto.
- Para que la persona que use el equipo se proteja de un electroshock, no sumerja el limpiador de vapor en agua u otros líquidos.
- Siempre debe apagar el limpiador de vapor antes de conectarlo o desconectarlo del tomacorriente. Nunca hale el cordón eléctrico del tomacorriente para apagar el equipo. Primero ponga el interruptor en apagado y luego debe desenchufar el cordón de alimentación de la corriente.
- No deje que el cordón de alimentación toque superficies calientes. El limpiador de vapor debe estar frio antes de guardarse. Enrolle el cordón de alimentación alrededor de la base donde debe recogerse cuando no se usa el limpiador de vapor.
- No opere el limpiador de vapor si este tiene dañado el cordón de alimentación, el enchufe o si el equipo se ha caído o tiene algún daño. Eso cancelaría alguna o toda la garantía del producto. Por favor contacte el lugar donde lo compro para que le expliquen cual es el procedimiento a seguir para su reparación.
- Es necesario mantener una alta preocupación cuando el equipo sea manipulado por o alrededor de los niños. Nunca deje el limpiador de vapor encendido cuando no lo este supervisando.
- No use este equipo en presencia de explosivos y/o de gases inflamables.
- Mantenga las ranuras de ventilación libre de polvo.
- Nunca introduzca o deje caer ningún objeto dentro de las ranuras de ventilación.
- Para prevenir que se sobrecaliente el equipo, desenrolle el cordón de alimentación completamente.
- No utilice el equipo donde se estén usando productos con aerosol o donde se este suministrando oxígeno.
- Para desconectar el equipo, ponga todos los interruptores en posición de apagado, y luego desconecte el enchufe de la corriente principal.
- Nunca guarde el limpiador de vapor si este esta caliente. No necesita vaciar el tanque de agua a menos que usted no lo va a usar por un largo periodo de tiempo.
- Este equipo se ha creado para ser usado solo en el hogar. Siga todas las instrucciones de este manual.

## INSTRUCCIONES ELECTRICAS

Para evitar un corto circuito, no opere ningún otro equipo de alto voltaje en el mismo circuito simultáneamente. Si necesita usar un cable de extensión, debe usar uno de 15-ampères con un enchufe polarizado. Cables con menos ampères se pueden sobrecalentar y pueden causar daño.

Enchufe polarizado: Este limpiador de vapor utiliza un enchufe polarizado (una lámina es mas ancha que la otra). Como parte de la seguridad, el enchufe solo entra a la conexión de una sola manera. Si el enchufe no entra completamente, voltéalo al revés. Si todavía no entra, contacte a un electricista calificado. No trate de violar esta característica de seguridad.

## INSTRUCCIONES SOBRE EL AGUA

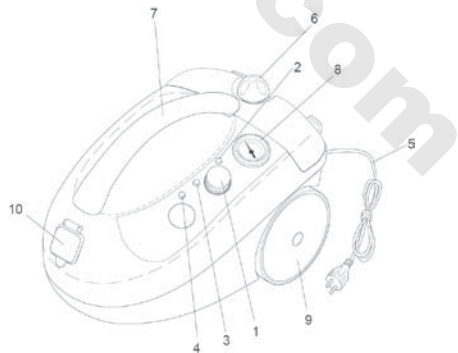
Su limpiador de vapor ha sido creado para ser utilizado con agua normal del grifo. Si el agua donde usted vive es agua dura, le recomendamos que utilice 50% de agua del grifo y 50% de agua destilada para extender la durabilidad del producto.

## COMPRUEBE PRIMERO, LIMPIE DESPUES

Antes de limpiar, compruebe el equipo en las superficies que desee limpiar. Nosotros no asumimos ninguna responsabilidad sobre los daños que puedan ser provocados si no lo comprueba primero.

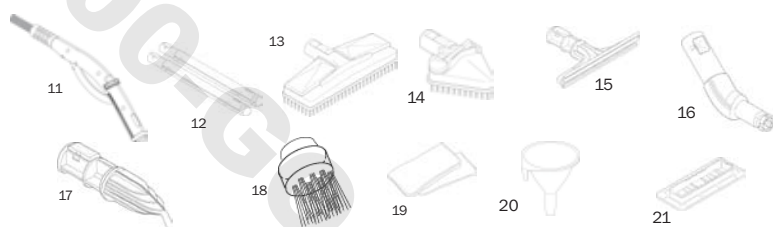
## DESCRIPCIÓN DEL LIMPIADOR

1. Interruptor principal ON/OFF (Encendido/Apagado)
2. Piloto de control que se enciende cuando esta encendido el equipo
3. Piloto de control que se enciende cuando esta listo para trabajar con el vapor
4. Piloto de control que indica que el nivel del agua esta bajo
5. Cordón de alimentación
6. Tapa de seguridad del tanque
7. Asa
8. Manómetro/medidor de presión
9. Ruedas
10. Conector de salida para manguera flexible



## ACCESORIOS INCLUIDOS CON EL LIMPIADOR

11. Manguera flexible con pistola de vapor, llave de control de vapor y regulador de vapor
12. Tubos de extensión
13. Cepillo grande
14. Cepillo triangular para tapicerías
15. Limpiacristales
16. Adaptador para limpiar ángulos difíciles
17. Boquilla de alta presión
18. Cepillo redondo pequeño: cepillo de nailon y cepillo de metal
19. Paños
20. Embudo
21. Base para limpiar alfombras



## CÓMO UTILIZAR EL LIMPIADOR

1. Desenroscar la tapa de seguridad (6), llenar el tanque (6) con agua, a un máximo de 1,5L (o 6 tazas) y enroscar la tapa hasta que esté bien cerrada.
2. Insertar el enchufe de alimentación en el tomacorriente.
3. Conectar la manguera (12) al accesorio de limpieza que quiera utilizar.
4. Gire la llave principal (1) completamente hacia la derecha (Última posición). En esta posición se encenderá la luz naranja de 'listo' cuando la unidad alcance la presión de funcionamiento.
5. NOTA: La posición #1 (el icono de vapor del medio) se usa únicamente para liberar el vapor. La luz naranja de vapor listo no se enciende cuando la llave está en la posición #1.
6. Durante el uso, la luz naranja de vapor listo (3) se encenderá y apagará alternadamente. Esto es normal e indica que se está generando vapor en la caldera.
7. Antes de guardarlo, debe liberar el vapor. Para liberar el vapor, coloque la llave en la posición #1 y presione el gatillo del vapor (11) de la pistola de vapor.

8. Cuando termine, coloque la llave principal (0) en la posición de apagado y desenchufe la unidad. Su limpiador a vapor está listo para ser guardado.
9. Es normal dejar agua en la caldera cuando no esta en uso. Si no lo usa en mucho tiempo (por meses) es mejor vaciar el agua de la caldera. En este caso, vea instrucciones en el parrafo “mantenimiento de la caldera”

## ESTE MODELO PRESENTA LAS SIGUIENTES CARACTERISTICAS

### *PILOTO INDICADOR ROJO (4)*

Se enciende para indicar que el depósito se ha quedado sin agua y necesita ser llenado. Si desea seguir limpiando, vea las instrucciones sobre llenar el tanque.

### *REGULADOR DE DISTRIBUCIÓN DE VAPOR (EN LA MANGUERA)*

Con el regulador de distribución de vapor se puede variar la cantidad de vapor que se desea durante la limpieza: desde salida de vapor mínimo hasta salida de vapor máximo.

### *MEDIDOR DE PRESIÓN (8)*

El manómetro indica la presión del limpiador. Si la aguja está se encuentra en la sección verde, el producto esta trabajando correctamente. Si la aguja está continuamente en la sección roja, reduzca la cantidad de vapor, pero si esto no resuelve el problema, puede que el limpiador necesite servicio. Por favor contacte al vendedor del producto.

## UTILIZACIÓN DE LOS ACCESORIOS

### *COMO ENCHUFAR LOS ACCESORIOS*

Inserte completamente el enchufe del extremo opuesto a la pistola/manguera de vapor (11) al conector de salida (10), verificando que no se pueda empujar más. Conecte el mango de la pistola de vapor (11) a los tubos de extensión (12), presionando levemente el botón de traba hasta que encaje. Todos los accesorios se conectan de la misma forma.

El adaptador para limpiar ángulos difíciles (16) se utiliza para el cepillo rectangular (13) y el cepillo triangular (14) de la siguiente forma. Agarrar el cepillo con una mano con las cerdas hacia abajo, y con la otra mano insertar el adaptador al cepillo apuntándolo hacia abajo. Después de esto, gire 180° el adaptador en ángulo de modo que la línea del adaptador y el punto en el cepillo queden alineados. Cuando la línea y el punto están alineados puede colocar la palanca gris en la posición del medio (trabada) para trabar el cepillo y que no se mueva, o puede colocarla en la posición más cercana a usted (rotar) para permitir que el

cabezal del cepillo rote. Para sacar el cepillo, verifique que la palanca gris esté en la posición más alejada de usted (armado) y verifique que la línea del adaptador y el punto del cepillo estén alineados. Gírelo 180° para sacarlo.

## CEPILLO GRANDE

Para la limpieza de los pisos de loza conectar los tubos de extensión al adaptador y posteriormente al cepillo rectangular. Ponerle un paño al cepillo para una limpieza más eficaz.

## BASE PARA ALFOMBRAS

Esta base se utiliza para deslizarla sobre las alfombras pues de lo contrario no será posible limpiarla sin este accesorio, pero esta base solamente se puede utilizar para limpiar pequeñas manchas. Para utilizar este accesorio, presionar firmemente (hacia abajo) al cepillo grande, asegurando que ambas presillas estén seguras (escuchará dos “click”). Para removerlo, ejerza una ligera presión en las presillas hacia el exterior y sáquelo hacia afuera.

*LIMPIEZA DE LAS ALFOMBRAS CON CEPILLO, BASE PARA ALFOMBRAS Y PAÑO  
(\*ESTE PRODUCTO NO ES UN PRODUCTO DE LIMPIEZA PARA EXTRACCIÓN)*

Este equipo limpia y desinfecta también todo tipo de alfombras, incluso las alfombras orientales, sin necesidad de usar productos químicos. Este producto elimina los pelos de los animales y otras polillas, mientras que los colores recobran su naturalidad.

Limpiar primero la alfombra con la aspiradora para eliminar el polvo. Fijar el paño al cepillo. De esta forma el cepillo podrá deslizarse sin riesgo de dañar la alfombra. La presión y el vapor ayudan a que el paño pueda recoger la suciedad.

Para limpiar alfombras muy sucias puede que necesite limpiarla varias veces para obtener mejores resultados. Al repetir esta operación debe utilizar otro paño seco.

*IMPORTANTE: Siempre respete las indicaciones del producto que esta limpiando y siga las instrucciones de las etiquetas. Por favor compruebe en una esquina antes de que empiece a limpiar. Reliable Corporation no se responsabiliza de eventuales daños causados por el incumplimiento de la referida advertencia.*

## CEPILLO TRIANGULAR/CEPILLO PARA TAPICERIAS

El cepillo triangular se usa cuando es imposible o difícil de utilizar el cepillo grande.

*TAPICERÍAS, CORTINAS, ROPAS DE CAMA, ETC.*

Cubrir el cepillo con un paño seco, fijándolo con la pinza. Mover el cepillo rápidamente para no saturar el material con demasiado vapor.



*IMPORTANTE: Por favor compruebe en una esquina antes de que empiece a limpiar. Reliable Corporation no se responsabiliza de eventuales daños causados por el incumplimiento de la referida advertencia.*

## EL LIMPIACRISTALES

Es fácil limpiar y quitar la grasa de las ventanas con el limpiacristales. Enganchar el accesorio, vaporizar el cristal y al mismo tiempo quitar la suciedad con el limpiacristales.

*ATENCIÓN: Si hace frío, se debe calentar los cristales con poco vapor a una distancia de 2–4 pulgadas antes de empezar la limpieza. Sólo después de esta operación se podrá iniciar la limpieza (para prevenir posibles daños a la ventana).*

## BOQUILLA DE ALTA PRESIÓN CON CEPILLO REDONDO PEQUEÑO (NAILON, METAL, ACERO INOXIDABLE)

La boquilla de alta presión podrá utilizarse de las dos formas: con el cepillo-plumero o sin él.

Para limpiar objetos que se arañan fácilmente, es preferible utilizar la boquilla sin cepillo. Para limpiar las demás áreas, empiece con el cepillo de nailon (es menos brusco) y luego utilice los cepillos de metal y de acero inoxidable (opcional). Siempre es recomendable tener precaución cuando utiliza los cepillos para prevenir que haga daños o arañazos al objeto que este limpiando.

Puede utilizar la boquilla de vapor sin cepillo en particular para limpiar y eliminar grasas de muchas superficies como el extractor de ventilación, los cristales de la puerta del horno, la rejilla de ventilación, los muebles de la cocina, el fregadero de acero inoxidable o de cerámica, el lavamanos, la bañera, los grifos del agua (para quitar el sarro y residuos de agua), las puertas, los marcos de metal, las tamboras de las gomas del carro, los lugares donde viven las mascotas, etc.

El cepillo de nailon, por su suavidad, es perfecto para quitar los residuos en las ranuras, de los fregaderos, y de otras superficies cuando necesita una limpieza ligera, pero tenga cuidado de no arañar la superficie.

Trabajos de limpieza más profundos pueden requerir el uso del cepillo de metal que esta incluido con el equipo. Por favor tenga cuidado de no arañar la superficie que este limpiando cuando use este cepillo. El cepillo de metal es más fuerte que el cepillo de nailon, pero más suave que el cepillo de acero inoxidable. Para las superficies (por ejemplo, en las ranuras) donde no se limpian bien los residuos con el cepillo de nailon, utilice el cepillo de metal con cuidado para mejores resultados.

Para limpiar los objetos y las cosas más difíciles de limpiar (grasa acumulada, óxido, parrillas de barbacoas, o ranuras muy sucias), le recomendamos comprar el cepillo de acero inoxidable opcional que lo puede encontrar a través de su vendedor.

Cuando usa la boquilla con o sin los cepillos, usted necesitará un paño para quitar la saturación y el sarro que se acumulan durante la limpieza.

## LLENANDO EL TANQUE

Si se enciende la luz del piloto que indica que el nivel del agua está bajo (4) y quiere seguir utilizando el limpiador, siga el procedimiento siguiente:

1. Apagar el interruptor general girándolo en la posición (1) (esto apagará el equipo).
2. Apretar el botón de controlar el vapor (11) en la manguera, para dejar salir el vapor restante.
3. Cuando no queda más vapor, apagar el interruptor general.
4. Ahora es más seguro desenroscar la tapa del tanque (6). Llenarlo lentamente con agua tibia (para que se caliente más rápido) y enroscar de nuevo la tapa (6). Encender el interruptor general (1) a la posición 2° y esperar que la luz del piloto de vapor (3) se encienda de nuevo.

## MANTENIMIENTO DEL TANQUE

Para mantener limpiador en buen estado y asegurar funcionamiento constante se aconseja limpiar el tanque 1 o 2 veces al año.

## INSTRUCCIONES PARA LIMPIAR

*Atencion: antes de descalcificar el tanque con el polvo "descalcificador" que está incluido en su compra, por favor verifique que la máquina esté fría y que no haya sido utilizada en las últimas 8 horas, y que el enchufe esté desconectado del tomacorriente.*

1. Desenroscar la tapa del tanque (6), y voltear el aparato hasta expulsar completamente el agua que queda en el tanque.
2. Diluir el contenido de 1 sobre de polvo descalcificador en 2 tazas (0,5L) de agua.
3. Llenar el tanque con la solución.
4. Dejar la solución en la caldera por 1 noche con la tapa del tanque desenroscada.

5. Vaciar completamente la solución y aclarar el tanque dos o tres veces con agua del grifo.
6. Es mejor sacar el primer vapor en un paño y no directamente en la superficie que quiera limpiar por que pueden quedar restos de calcio en la maquina.

*ATENCIÓN: No se recomienda introducir en el interior del tanque cualquier tipo de agentes químicos. Eso automáticamente anulará la garantía.*

## INSERCIÓN

Si al cabo de cierto tiempo, la inserción de tubos de extensión y el asa de la manguera resultara difícil de conectar, aplicar un poco de grasa (Vaselina) alrededor de la pieza que va a entrar para facilitar la conexión.

## DATOS TÉCNICOS

Alimentación	120V	1750W
Capacidad útil de agua		2L
Presión de servicio		4 barras
Tapón de seguridad		Si

## RECAMBIOS Y OPCIONES

#EA30N	Cepillo con cerdas en nilón
#EA30B	Cepillo con cerdas en metal
#EA30SS	Cepillo con cerdas en acero inoxidable (no esta incluido con el limpiador)
#EACLOTH2	Set de 2 paños
#JTPOWDER	Sobre con polvo descalcificador

Otros accesorios están disponibles poniéndose en contacto con su vendedor o visitando [www.reliablecorporation.com](http://www.reliablecorporation.com).

## QUE HACER CUANDO EXISTE UN PROBLEMA

No utilice la limpiadora si el cordón o el enchufe están dañados o si la limpiadora se ha caído o tiene algún daño. Para evitar un riesgo de electroshock, no trate de abrir o de reparar el equipo. Devuelva el equipo a Reliable Corporation (ver la garantía) para que lo examinen y reparen o lo replacen por un equipo nuevo.

PROBLEMA	CAUSAS POSIBLES	SOLUCION
No sale vapor.	<ol style="list-style-type: none"><li>1. El equipo no esta encendido.</li><li>2. El tanque está vacío.</li><li>3. No esta enchufado a la corriente.</li><li>4. El generador no esta completamente caliente.</li></ol>	<ol style="list-style-type: none"><li>1. Enciende la maquina a la posición 2.</li><li>2. Llene el tanque con la cantidad de agua necesaria.</li><li>3. Enchufe la maquina a la corriente.</li><li>4. Espere que se encienda la luz del piloto 3.</li></ol>
Agua gotea de los accesorios que se unen	<ol style="list-style-type: none"><li>1. El equipo no esta caliente suficiente.</li><li>2. Se ha acumulado condensación por la falta de uso del equipo.</li></ol>	<ol style="list-style-type: none"><li>1. Espere que se encienda la luz del piloto 3.</li><li>2. Deje correr agua hasta que salga vapor.</li></ol>
Sale agua sucia.	<ol style="list-style-type: none"><li>1. El equipo puede haber acumulado calcio.</li></ol>	<ol style="list-style-type: none"><li>1. Siga las instrucciones de limpieza en este manual.</li></ol>
No hay suficiente presión de vapor.	<ol style="list-style-type: none"><li>1. El selector de la manguera puede estar en una posición baja.</li></ol>	<ol style="list-style-type: none"><li>1. Voltea el selector hasta que encuentre la presión que desea.</li></ol>

### **GARANTÍA LIMITADA DE 1 AÑO**

Garantizamos todos los productos de la marca Reliable<sup>MR</sup> por un año a partir de la fecha de compra contra defectos de material o de fabricación a cualquier pieza que figure en la lista de repuestos mecánicos o eléctricos, excepto a las sujetas a desgaste por el uso.

Lista de piezas sujetas a desgaste por el uso:

- Equipos de vapor: Empaque de presión y tapa, sellos de Teflón<sup>®</sup>, zapata de Teflón<sup>®</sup>, mangueras de vapor y cordones eléctricos
- Equipos para coser: Ganchos, lanzaderas, placas para puntada, elementos alimentadores, agujas, disco de embrague del motor, escobillas de carbones, fusibles
- Equipos cortadores de telas: Cuchillas, piedras, bandas afiladoras, zapatas

### **GARANTÍA LIMITADA DE 90 DÍAS PARA TODAS LAS PIEZAS Y REGULACIONES**

Durante el periodo de 90 días a partir de la fecha de compra haremos las regulaciones necesarias y reparaciones a su producto Reliable<sup>MR</sup> sin costo.

*El servicio de garantía está disponible remitiendo el producto con este documento de garantía y el comprobante de compra al servicentro más cercano autorizado por Reliable<sup>MR</sup>.*

Esta garantía se aplica si ha usado su máquina para los fines normales para los que está diseñada y que se le haya dado un cuidado y mantenimiento razonablemente bueno de acuerdo a su manual de instrucciones.

Su distribuidor autorizado (o Reliable Corp.) no serán responsables por daños ni perjuicios si la máquina hubiese sido reparada por un distribuidor o servicentro no autorizado.

Estas garantías le otorgan derechos específicos y usted podría tener otros derechos que varían entre los diferentes estados o provincias.

Si tiene cualquier pregunta sobre estas garantías, escríbanos a:

Reliable Corporation  
100 Wingold Avenue, Unit 5  
Toronto, Ontario  
Canada M6B 4K7  
[www.reliablecorporation.com](http://www.reliablecorporation.com)

1-800-GO-VAPOR.com



**RELIABLE**

1 800 268 1649  
[www.reliablecorporation.com](http://www.reliablecorporation.com)